

980 Series Snap - Mount 1/2" Dia Indicator Lights

Overview

The 980 Series non-relampable snap mount indicator lights feature molded plastic flex arms which insure easy front panel installation into a 1/2" diameter hole. This series is designed to snap securely into panel without the use of additional hardware.

Approval

Units with wire leads are U.L. Listed. Units with terminals are UL Recognized.

Specification

Housing: White nylon (standard), black optional, other colors available to special order.

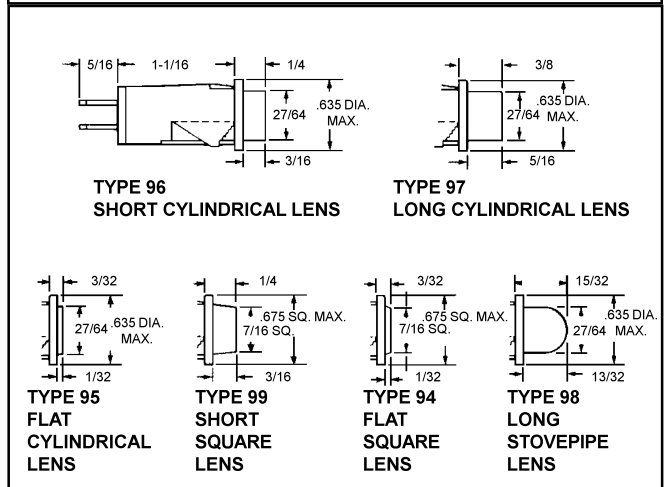
Bezel: Chrome-plated finish standard. Other bezel finishes are available. Bezels are required with lens types 94 (flat square) and 99 (short square). Bezels are optional on all other lens types.

Terminations: Wire leads: Black #18 gauge, PVC plastic insulated. UL-CSA rated at 105°C. 6" +/- 1/2" long, 1/2" stripped. Terminals: Brass, Tin-plated 3/16" quick-connect.

Lens: Heat resistant, high strength polycarbonate. **Lens Marking:** Flat lenses may be stamped. Contact factory.

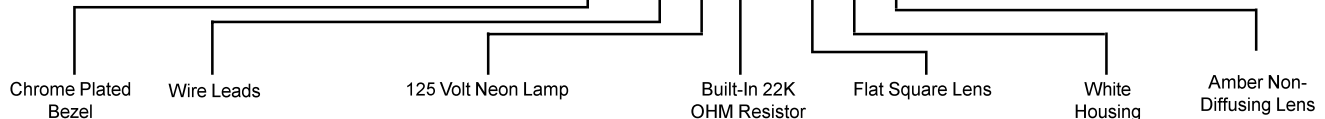
Mounting: Designed to snap securely into a .500"/.510" diameter hole. Panel thickness ranges from .040" to .100".

Incandescent AC or DC Voltage options: 6 to 28 volts. **High Brightness Neon AC Voltage options:** 125 to 250 volts. **Blue or Green Neon AC or DC Voltage options:** 125 to 250 volts.



ORDERING INFORMATION:

EXAMPLE: 981 6 70 A 94 W AN



Series Number	Termination	Lamp				Resistor	Lens Type	Housing Color	Lens Color
		Code	Volts	MA	Life (Hrs)				
980 No Bezel	6 6" Wire Leads	03	14.0	80	15,000	X None (No Resistor required with incandescent lamps)	95 Flat Cylindrical (Fresnel)	W White (Standard)	Nondiffusing (Clear)
981 Chrome Plated Bezel	7 .187" Q.C. Terminals	04	28.0	40	7,000				NEON (High Brightness) 70 ² 125 1/3 W 10,000 A 22K OHM 71 ² 250 1/3 W 10,000 T 150K OHM 56 ³ 125 1/3 W 10,000 B 30K OHM 56 ³ 250 1/3 W 10,000 E 100K OHM 57 ⁴ 125 1/3 W 10,000 B 30K OHM 57 ⁴ 250 1/3 W 10,000 E 100K OHM
982 Black Anodized Bezel						BN Blue			
						CN Colorless			
						GN Green			
						RN Red			
								WN White (Cloudy)	
								YN Yellow	

² Standard Neon. Use with lens colors AN, CN, RN, WN, or YN.
³ Green Neon. Use with lens colors CN, GN, or WN.
⁴ Blue Neon. Use with lens colors BN, CN, or WN.
⁵ Bezel Required.