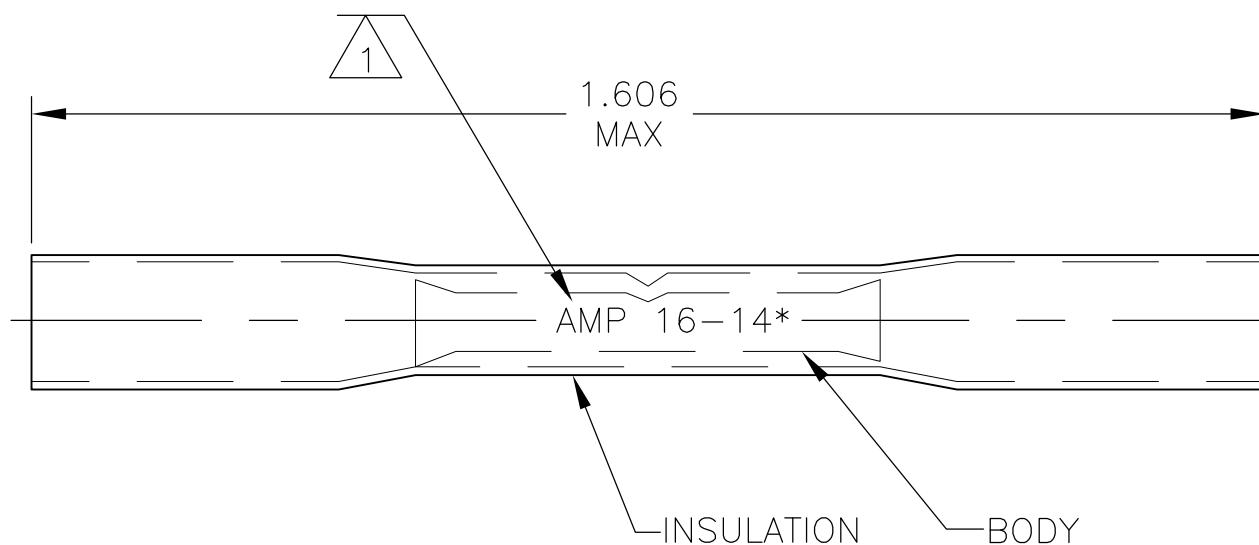


THIS DRAWING IS UNPUBLISHED. RELEASED FOR PUBLICATION  
 © COPYRIGHT - By - ALL RIGHTS RESERVED.

LOC	DIST	REVISIONS					
		P	LTR	DESCRIPTION	DATE	DWN	APVD
G	14		H1	REVISED PER ECO-11-005027	12MAR11	RK	HMR

- 1 STAMP AMP 16-14\* APPROX AS SHOWN
- 2 WIRE INSULATION .190 MAX DIA.



<b>AMP</b> WIRE RANGE
16-14 AWG STRANDED

2500	ON TAPE, REEL	2-55825-1
50	LOOSE PIECE	8-55825-2
1000	LOOSE PIECE	55825-1
QTY	PACKAGE TYPE	PART NO

<b>AMP INCORPORATED CUSTOMER SERVICE SYSTEMS</b>		<b>MAX RECOMMENDED OPERATING TEMPERATURE:</b> 125° C MAX
FOR ADDITIONAL PRODUCT INFORMATION OR COPIES OF DRAWINGS AND TECHNICAL DOCUMENTS	PRODUCT INFORMATION CENTER 1-800-522-6752	<b>VOLTAGE RATING:</b> 600V MAX (BUILDING WIRING) 1000V MAX (FIXTURES & SIGNS)
FOR APPLICATION TOOLING INFORMATION	TOOLING ASSISTANCE CENTER 1-800-722-1111	<b>CIRCULAR MIL AREA:</b> 1.04-2.62 [2050-5180] STRANDED
FOR ORDER ENTRY	1-800-526-5142	THIS DRAWING IS A CONTROLLED DOCUMENT FOR AMP INCORPORATED. IT IS SUBJECT TO CHANGE AND THE CONTROLLING ENGINEERING ORGANIZATION SHOULD BE CONTACTED FOR THE LATEST REVISION.

THIS DRAWING IS A CONTROLLED DOCUMENT.	
<b>DIMENSIONS:</b> INCHES	<b>TOLERANCES UNLESS OTHERWISE SPECIFIED:</b>
	0 PLC ± - 1 PLC ± - 2 PLC ± .008 3 PLC ± - 4 PLC ± - ANGLES ± -
<b>MATERIAL</b> BODY: ETP COPPER INSULATION: POLYOLEFIN COLOR: BLUE	<b>FINISH</b> EDP TIN PLATED

DWN S S GOULDEN 6/93	<b>STE</b> TE Connectivity			
CHK R HERSEY 6/93				
APVD B BARE 6/93	NAME			
PRODUCT SPEC -	SPLICE, SEALABLE HEAT SHRINKABLE			
APPLICATION SPEC 408-4022	SIZE	CAGE CODE	DRAWING NO	RESTRICTED TO
WEIGHT -	A3	00779	C-55825	-
CUSTOMER DRAWING		SCALE NTS	SHEET 1 OF 1	REV H1