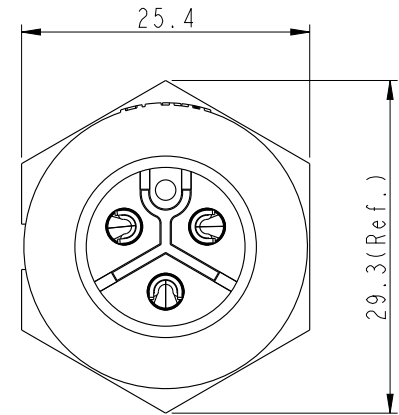
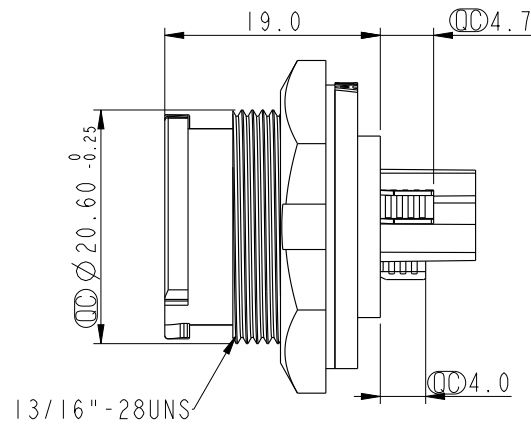
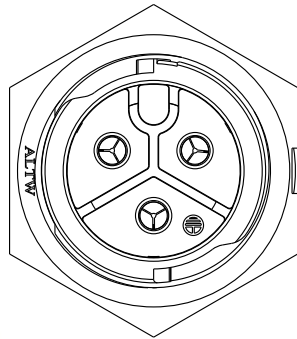
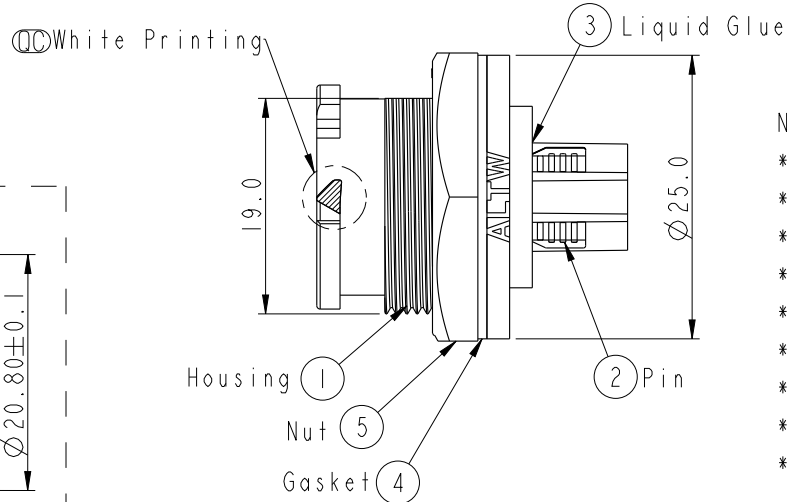


REV.	ECN NO.	DATE	SIGN	DESCRIPTION
A	Initial Release	2016-06-06	Tom_Gu	Change Rev.01 To Rev.A

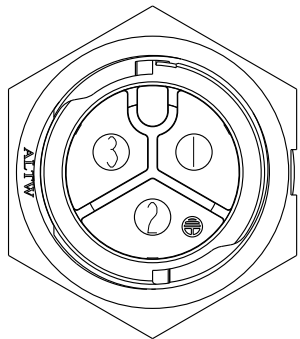
**ALTW**  
**CONFIDENTIAL**  
 2016-06-06  
**R&D DEPT.**



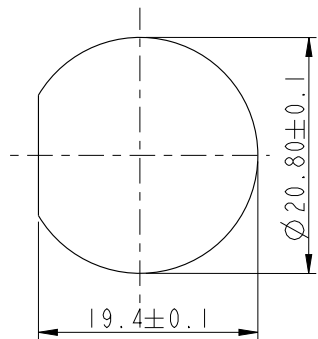
**ALTW**  
 DCC. DEPT.  
**CONFIDENTIAL**  
 2016.06.20  
**ISSUED**



- Note:
- \*  $\text{CC}$  Important Dimension To Check.
  - \* Waterproof Rate: IP68(1M/24Hours)
  - \* Working Voltage Rating: AC 300V
  - \* Working Current: 20A
  - \* Housing: Nylon+GF, Black
  - \* Pin: Copper Alloy, Gold Plated
  - \* Nut: Nylon+GF, Black
  - \* Gasket: Silicone, Gray
  - \* Use with waterproof cap or dust cap  
Panel Thickness Max: 3.0mm
  - \* Use without waterproof cap or dust cap  
Panel Thickness Max: 4.2mm



Pin Assignments  
Front View



Recommender Panel Cut-Out

UNIT:mm	
TOLERANCE	
.X	±0.25
.XX	±0.1
.XXX	±0.05
ANGLES	±1°

TITLE X-Lok C Size Receptacle Front 3Pin 20A M Conn. M Pin			
SCALE 3:2	SIZE A4	SHEET 1 OF 1	
REV. A	WC-REV. A.3	$\text{CC}$ : Inspection item	

**Amphenol LTW**  
 安費諾亮泰企業股份有限公司

ITEM NO CC-03PMMS-OC800P	DRAWN BY Tom_Gu	DATE 2016-06-06
DWG NO CC-03PMMS-OC800P	CHECKED BY Spring_Liu	DATE 2016-06-06
CUSTOMER ALTW	APPROVED BY Kevin_Hu	DATE 2016-06-06

THIS DOCUMENT IS SUBJECT TO CHANGE WITHOUT NOTICE. IT IS CONFIDENTIAL AND A PROPERTY OF AMPHENOL LTW. DISCLOSURE TO THIRD PARTY HAS TO BE AUTHORIZED BY AMPHENOL LTW.