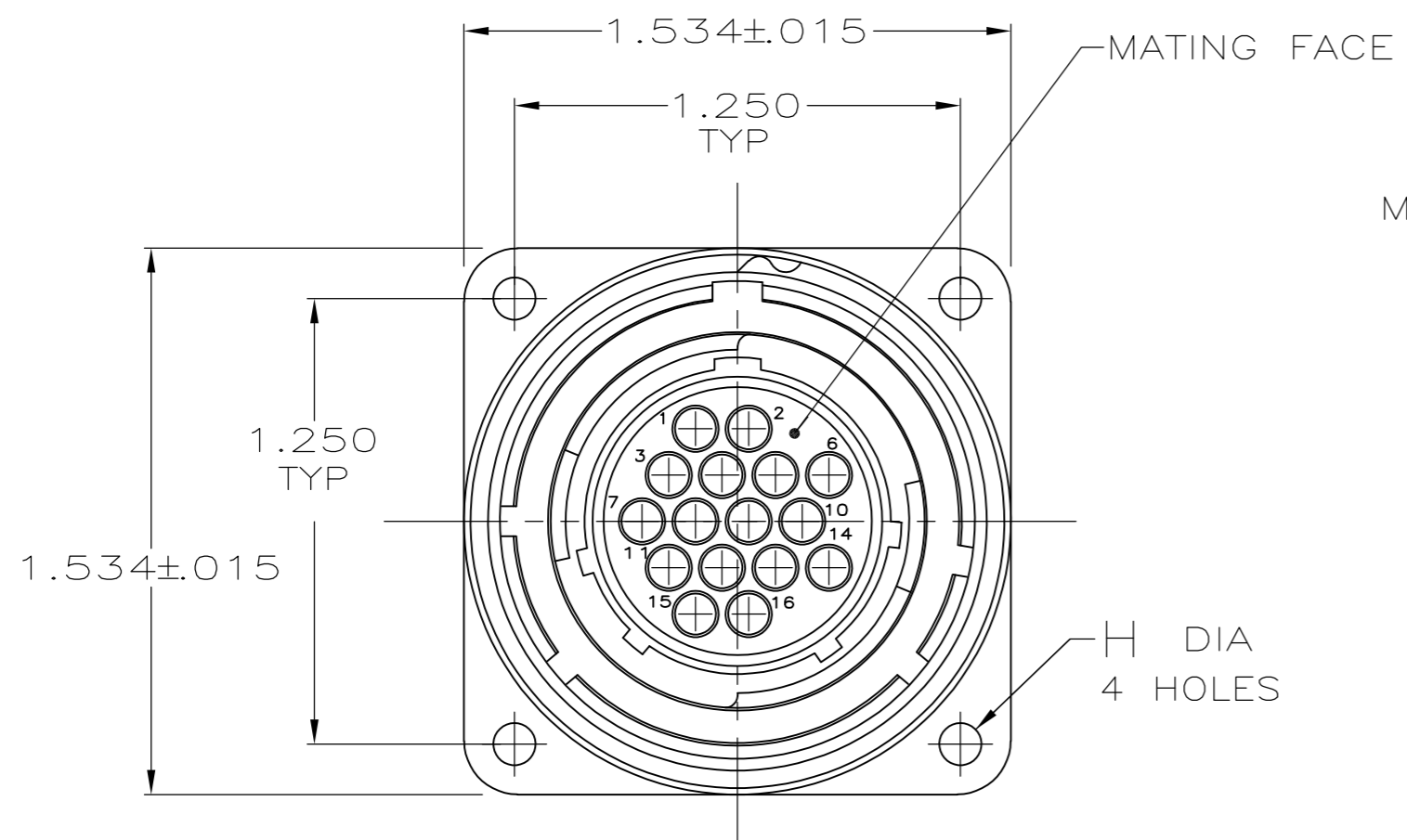


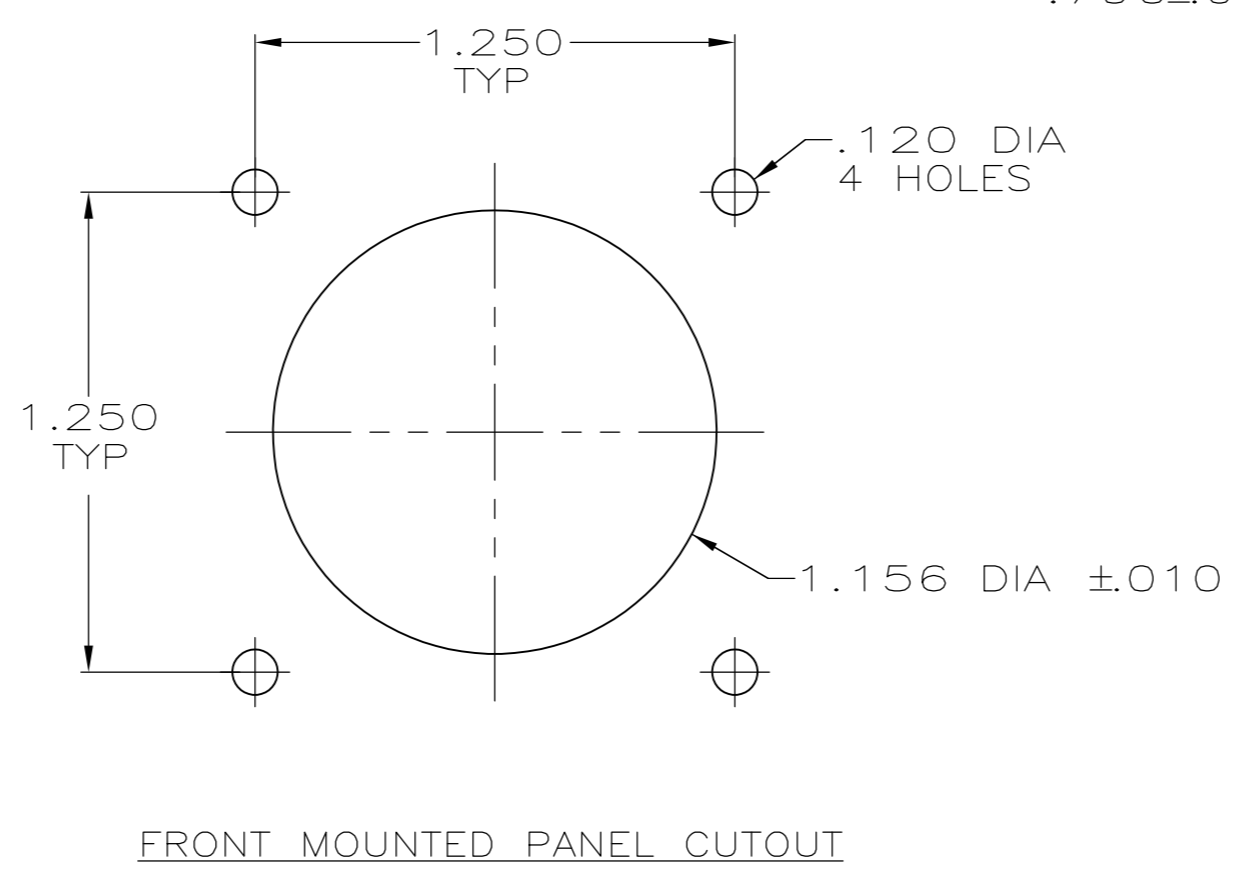
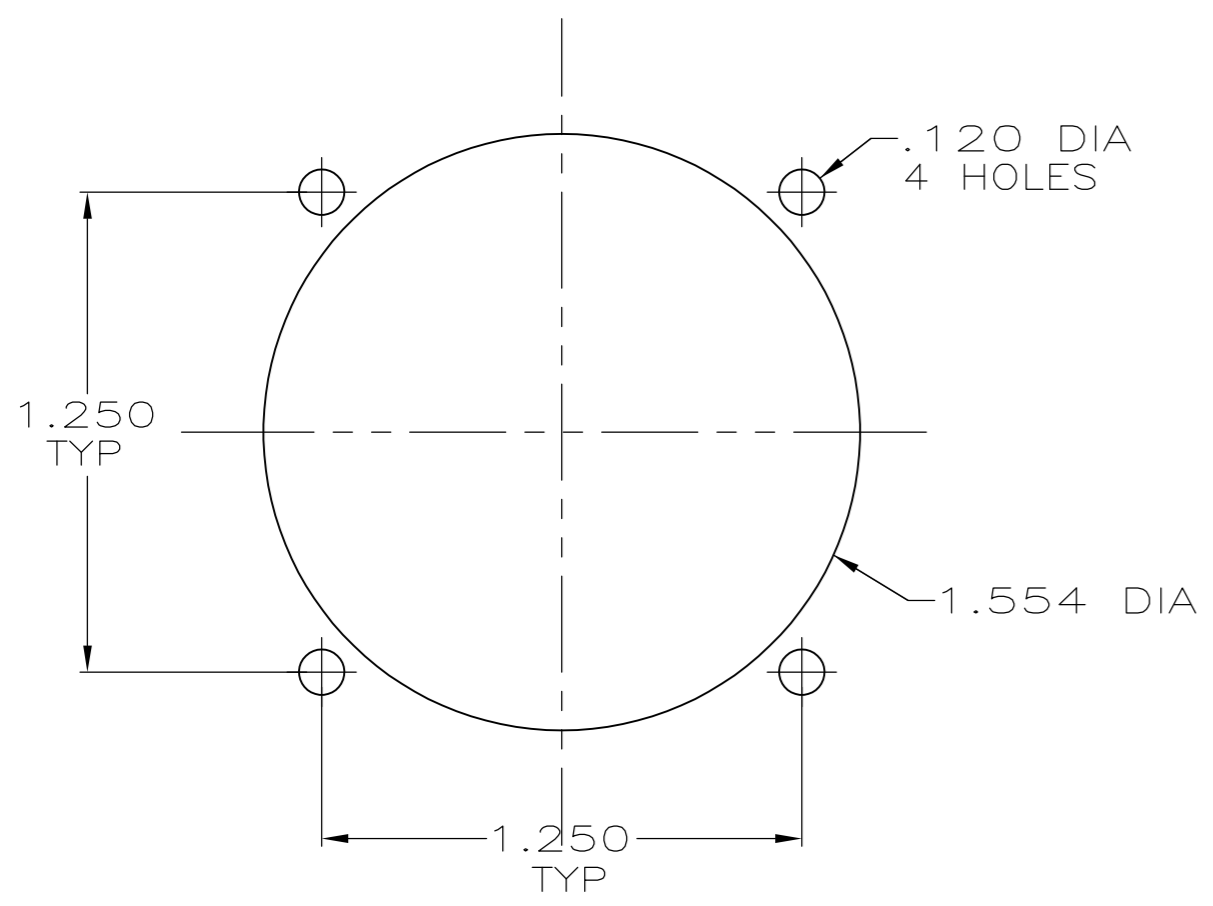
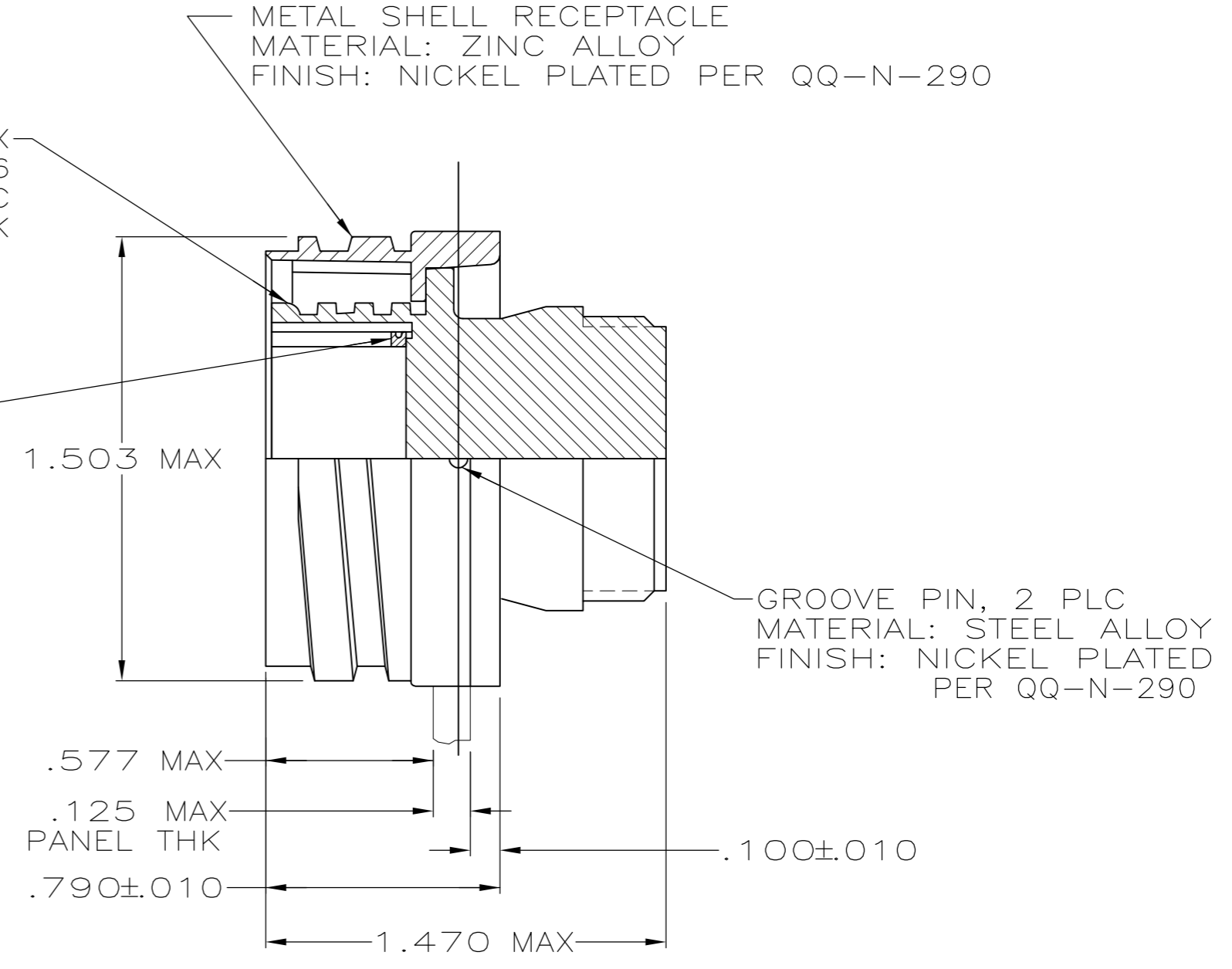
THIS DRAWING IS UNPUBLISHED. RELEASED FOR PUBLICATION
 © COPYRIGHT - By - ALL RIGHTS RESERVED.

LOC		DIST		REVISIONS			
P	LTR	DESCRIPTION	DATE	DWN	APVD		
FT	0						
	M1	REVISED PER ECO-11-005027	14MAR11	RK	HMR		



RECEPTACLE, STD SEX
 ARRANGEMENT 17-16
 MATERIAL: THERMOPLASTIC
 COLOR: BLACK

PERIPHERAL SEAL
 SEE TABLE



REAR MOUNTED PANEL CUTOUT

FRONT MOUNTED PANEL CUTOUT

NOTES:

- 208489-1 MATES WITH AMP PLUG 208488-1 OR -3.
208489-2 MATES WITH 208488-1 ONLY.
- THIS RECEPTACLE ACCEPTS SIXTEEN (16) MULTIMATE PIN CONTACTS. MAXIMUM WIRE INSULATION DIAMETER = .105.
- AMP PART NUMBER AND DATE CODE LOCATED ON EDGE OF FLANGE.

PRELIMINARY	M3 X 0.5	NO	208489-4
OBSELETE	.120	YES	208489-2
	.120	NO	208489-1
	H	PERIPHERAL SEAL	PART NUMBER

THIS DRAWING IS A CONTROLLED DOCUMENT.		DWN	6-28-91		TE Connectivity
		CHK	4-15-92		
		APVD	4-15-92		
		NAME	K.BEAVER		
DIMENSIONS:	TOLERANCES UNLESS OTHERWISE SPECIFIED:	PRODUCT SPEC		RECEPTACLE ASSEMBLY, STD SEX, SERIES 1, 22-16, CMC	
INCHES		108-10040			
		APPLICATION SPEC			
		WEIGHT		RESTRICTED TO	
MATERIAL		FINISH		SIZE	
SEE CALLOUT		SEE CALLOUT		CAGE CODE	
		CUSTOMER DRAWING		DRAWING NO	
		SCALE		SHEET	
		2:1		1 OF 1	
		REV		M1	