

QUAD PLL WITH VCXO FOR HDTV

ICS477-05

Description

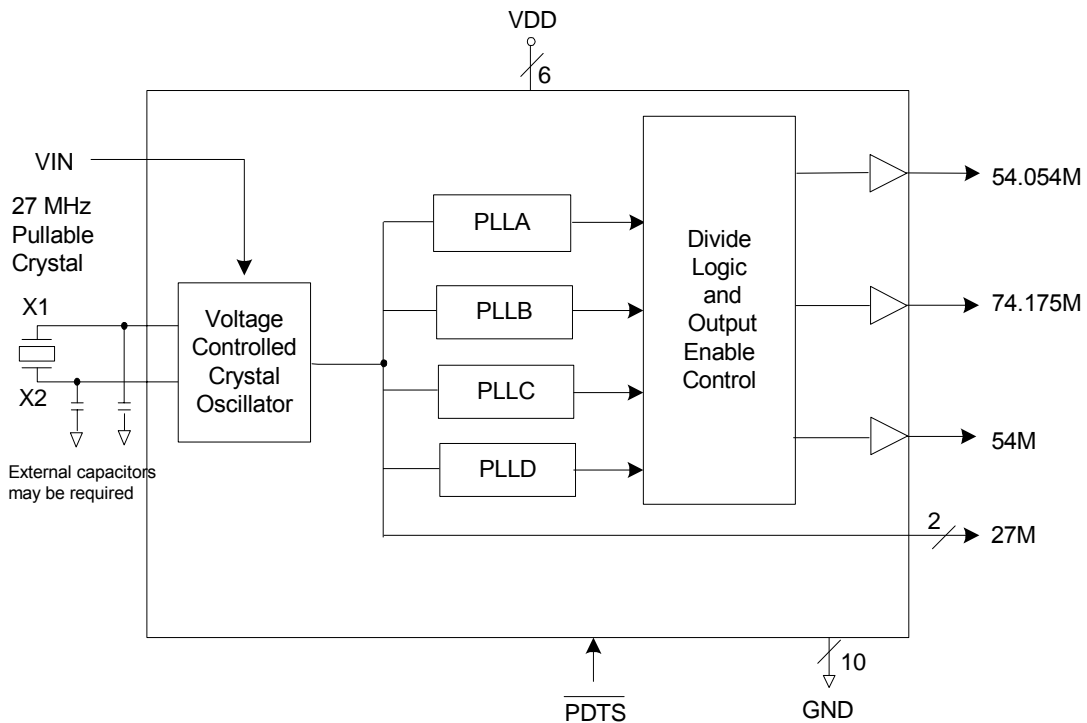
The ICS477-05 generates five high-quality, high-frequency clock outputs including two reference outputs from a low frequency pullable crystal. It is designed to replace crystals and crystal oscillators in most electronic systems.

Using Phase-Locked-Loop (PLL) techniques, the device runs from a fundamental mode, pullable crystal. It can replace multiple crystals and oscillators, saving board space and cost.

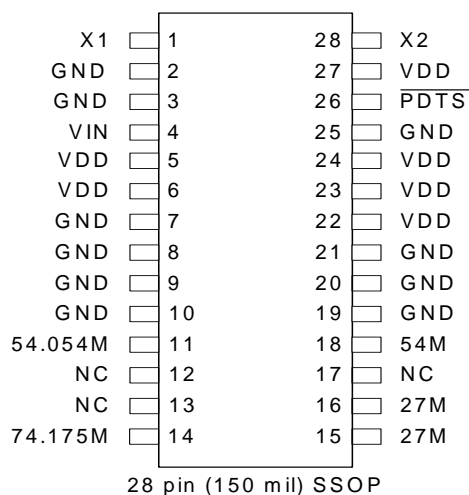
Features

- Packaged in 28-pin SSOP (QSOP)
- Available in Pb-free packaging
- Replaces a VCXO plus multiple crystals and oscillators
- On-chip patented VCXO pull range 200 ppm (minimum)
- Duty cycle of 45/55
- Operating voltage of 3.3V
- Advanced, low power, CMOS process
- Input crystal frequency of 27 MHz
- Five output clocks
- Industrial temperature range available

Block Diagram



Pin Assignment



Pin Descriptions

| Pin Number | Pin Name | Pin Type | Pin Description |
|-------------------------|--------------------------|----------|---|
| 1 | XI | Input | Crystal connection. Connect to a 27 MHz fundamental mode pullable crystal. |
| 2 | GND | Power | Connect to ground. |
| 3 | GND | Power | Connect to ground. |
| 4 | VIN | Input | VCXO Voltage input. Zero to 3.3 V analog control voltage for VCXO. |
| 5, 6, 22, 23, 24, 27 | VDD | Power | Connect to +3.3 V. |
| 7, 8, 9, 10, 19, 20, 21 | GND | Power | Connect to ground. |
| 11 | 54.054M | Output | 54.054 MHz clock output. Weak internal pull-down when tri-state. |
| 12, 13, 17 | NC | - | No connect. Do not connect anything to these pins. |
| 14 | 74.175M | Output | 74.175 MHz clock output. Weak internal pull-down when tri-state. |
| 15, 16 | 27M | Output | 27 MHz reference clock output. Weak internal pull-down when tri-state. |
| 18 | 54M | Output | 54 MHz clock output. Weak internal pull-down when tri-state. |
| 25 | GND | Power | Connect to ground. |
| 26 | $\overline{\text{PDTS}}$ | Input | Powers down entire chip. Tri-states CLK outputs when low. Internal pull-up. |
| 28 | X2 | Input | Crystal connection. Connect to a 27 MHz fundamental mode pullable crystal. |

External Components

The ICS477-05 requires a minimum number of external components for proper operation.

Decoupling Capacitors

Decoupling capacitors of 0.01 μ F must be connected between VDD and GND, as close to these pins as possible. For optimum device performance, the decoupling capacitors should be mounted on the component side of the PCB. Avoid the use of vias in the decoupling circuit.

Series Termination Resistor

When the PCB trace between the clock outputs and the loads are over 1 inch, series termination should be used. To series terminate a 50 Ω trace (a commonly used trace impedance) place a 33 Ω resistor in series with the clock line, as close to the clock output pin as possible. The nominal impedance of the clock output is 20 Ω .

Quartz Crystal

The ICS477-05 VCXO function consists of the external crystal and the integrated VCXO oscillator circuit. To assure the best system performance (frequency pull range) and reliability, a crystal device with the recommended parameters (shown below) must be used, and the layout guidelines discussed in the following section must be followed.

The frequency of oscillation of a quartz crystal is determined by its “cut” and by the load capacitors connected to it. The ICS477-05 incorporates on-chip variable load capacitors that “pull” (change) the frequency of the crystal. The crystal specified for use with the ICS477-05 is designed to have zero frequency error when the total of on-chip + stray capacitance is 14 pF.

The external crystal must be connected as close to the chip as possible and should be on the same side of the PCB as the ICS477-05. There should be no via's between the crystal pins and the X1 and X2 device pins. There should be no signal traces underneath or close to the crystal.

See application note MAN05 for complete crystal specifications.

Crystal Tuning Load Capacitors

The crystal traces should include pads for small fixed capacitors, one between X1 and ground, and another between X2 and ground. Stuffing of these capacitors on the PCB is optional. The need for these capacitors is determined at system prototype evaluation, and is influenced by the particular crystal used (manufacture and frequency) and by PCB layout. The typical required capacitor value is 1 to 4 pF.

To determine the need for and value of the crystal adjustment capacitors, you will need a PC board of your final layout, a frequency counter capable of about 1 ppm resolution and accuracy, two power supplies, and some samples of the crystals which you plan to use in production, along with measured initial accuracy for each crystal at the specified crystal load capacitance, CL.

To determine the value of the crystal capacitors:

1. Connect VDD of the ICS477-05 to 3.3 V. Connect pin 4 of the ICS477-05 to the second power supply. Adjust the voltage on pin 3 to 0V. Measure and record the frequency of the 27 MHz output.
2. Adjust the voltage on pin 4 to 3.3 V. Measure and record the frequency of the same output.

To calculate the centering error:

$$\text{Error} = 10^6 \times \left[\frac{(f_{3.0V} - f_{\text{target}}) + (f_{0V} - f_{\text{target}})}{f_{\text{target}}} \right] - \text{error}_{\text{xtal}}$$

Where:

f_{target} = nominal crystal frequency

$\text{error}_{\text{xtal}}$ = actual initial accuracy (in ppm) of the crystal being measured

If the centering error is less than ± 25 ppm, no adjustment is needed. If the centering error is more than 25 ppm negative, the PC board has excessive stray capacitance and a new PCB layout should be

considered to reduce stray capacitance. (Alternately, the crystal may be re-specified to a higher load capacitance. Contact ICS for details.) If the centering error is more than 25 ppm positive, add identical fixed centering capacitors from each crystal pin to ground. The value for each of these caps (in pF) is given by:

External Capacitor =

$$2 \times (\text{centering error}) / (\text{trim sensitivity})$$

Trim sensitivity is a parameter which can be supplied by your crystal vendor. If you do not know the value, assume it is 30 ppm/pF. After any changes, repeat the measurement to verify that the remaining error is acceptably low (typically less than ± 25 ppm).

PCB Layout Recommendations

For optimum device performance and lowest output phase noise, the following guidelines should be observed.

- 1) The 0.01 μ F decoupling capacitors should be mounted on the component side of the board as close to the VDD pins as possible. No vias should be used between the decoupling capacitors and VDD pins. The PCB trace to VDD pin should be kept as short as possible, as should the PCB trace to the ground via.
- 2) The external crystal should be mounted just next to the device with short traces. The X1 and X2 traces should not be routed next to each other with minimum

spaces, instead they should be separated and away from other traces.

- 3) To minimize EMI, the 33 Ω series termination resistor (if needed) should be placed close to the clock output.
- 4) An optimum layout is one with all components on the same side of the board, minimizing vias through other signal layers. Other signal traces should be routed away from the ICS477-05. This includes signal traces just underneath the device, or on layers adjacent to the ground plane layer used by the device.

Absolute Maximum Ratings

Stresses above the ratings listed below can cause permanent damage to the ICS477-05. These ratings, which are standard values for ICS commercially rated parts, are stress ratings only. Functional operation of the device at these or any other conditions above those indicated in the operational sections of the specifications is not implied. Exposure to absolute maximum rating conditions for extended periods can affect product reliability. Electrical parameters are guaranteed only over the recommended operating temperature range.

| Item | Rating |
|--|---------------------|
| Supply Voltage, VDD | 7 V |
| All Inputs and Outputs | -0.5 V to VDD+0.5 V |
| Ambient Operating Temperature (commercial) | 0 to +70° C |
| Ambient Operating Temperature (industrial) | -40 to +85° C |
| Storage Temperature | -65 to +150° C |
| Junction Temperature | 125° C |
| Soldering Temperature | 260° C |

Recommended Operation Conditions

| Parameter | Min. | Typ. | Max. | Units |
|---|-------|------|-------|-------|
| Ambient Operating Temperature | -40 | | +85 | °C |
| Power Supply Voltage (measured in respect to GND) | +3.15 | +3.3 | +3.45 | V |

DC Electrical Characteristics

Unless stated otherwise, **VDD = 3.3 V ±5%**, Ambient Temperature -40 to +85° C

| Parameter | Symbol | Conditions | Min. | Typ. | Max. | Units |
|-----------------------------|------------------|--|---------|------|------|-------|
| Operating Voltage | VDD | | 3.15 | 3.3 | 3.45 | V |
| Supply Current | IDD | No load | | 48 | | mA |
| Power Down Current | IDDPD | No load | | 0.5 | | mA |
| Input High Voltage | V _{IH} | $\overline{\text{PDT}}\overline{\text{S}}$ pin | 2 | | | V |
| Input Low Voltage | V _{IL} | $\overline{\text{PDT}}\overline{\text{S}}$ pin | | | 0.8 | V |
| Output High Voltage | V _{OH} | I _{OH} = -4 mA | VDD-0.4 | | | V |
| Output High Voltage | V _{OH} | I _{OH} = -12 mA | 2.4 | | | V |
| Output Low Voltage | V _{OL} | I _{OL} = 12 mA | | | 0.4 | V |
| Short Circuit Current | I _{OS} | CLK output | | ±80 | | mA |
| Input Capacitance, inputs | C _{IN} | | | 5 | | pF |
| Nominal Output Impedance | Z _{OUT} | | | 20 | | Ω |
| Internal Pull-up Resistor | R _{PUP} | $\overline{\text{PDT}}\overline{\text{S}}$ pin | | 360 | | kΩ |
| Internal Pull-down Resistor | R _{PD} | CLK outputs | | 510 | | kΩ |

AC Electrical Characteristics

Unless stated otherwise, **VDD = 3.3 V ±5%**, Ambient Temperature -40 to +85° C

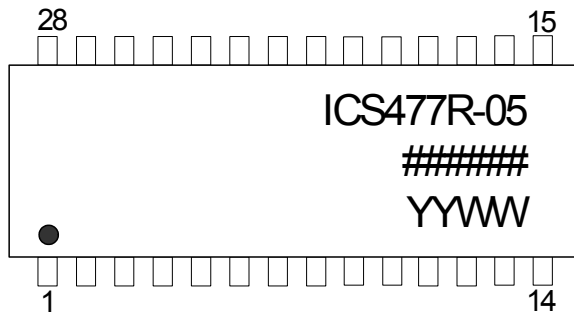
| Parameter | Symbol | Conditions | Min. | Typ. | Max. | Units |
|---|-----------------|-----------------------|------|------|------|-------|
| Input Frequency | f _{in} | Crystal input, Note 2 | | 27 | | MHz |
| Crystal Pullability | F _P | 0V ≤ VIN ≤ 3.3 V | ±100 | | | ppm |
| VCXO Gain | K ₀ | VIN = VDD/2 ± 1 V | | 150 | | ppm/V |
| Output Rise Time | t _{OR} | 20% to 80%, Note 1 | | 1.2 | | ns |
| Output Fall Time | t _{OF} | 80% to 20%, Note 1 | | 1.0 | | ns |
| Clock Stabilization Time after Power-up | | | | | 10 | ms |
| Cycle Jitter (short term jitter) | t _{ja} | | | ±200 | | ps |

| Parameter | Symbol | Conditions | Min. | Typ. | Max. | Units |
|---------------------|--------|---|------|------|------|---------------|
| Long Term Jitter | | 54.054M, 54M clocks | | 1.0 | | ns |
| | | 74.175M clock | | 1.3 | | ns |
| | | 27M reference clock | | 300 | | ps |
| Output Enable Time | | $\overline{\text{PDTS}}$ high to output locked to $\pm 1\%$ | | 250 | | μs |
| Output Disable Time | | $\overline{\text{PDTS}}$ low to tri-state | | 20 | | ns |

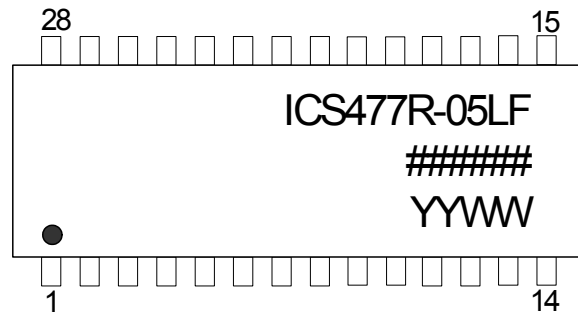
Note 1: Measured with a 15 pF load.

Note 2: With an ICS approved crystal.

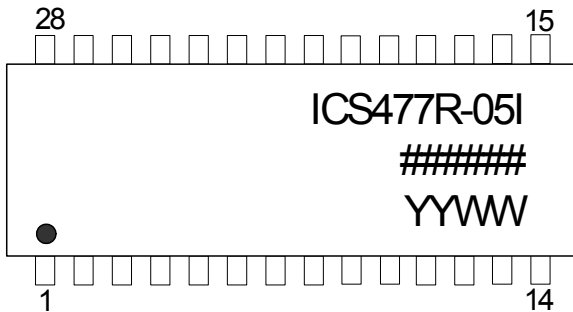
Marking Diagram



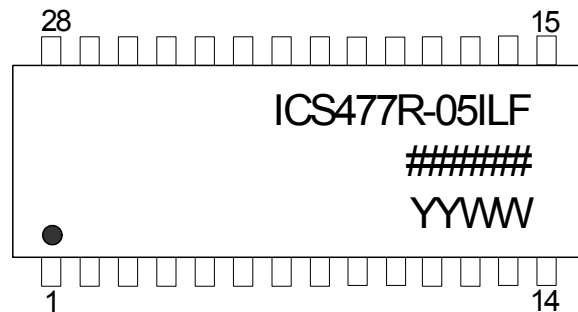
Marking Diagram (Pb free)



Marking Diagram (industrial)



Marking Diagram (Pb free, industrial)

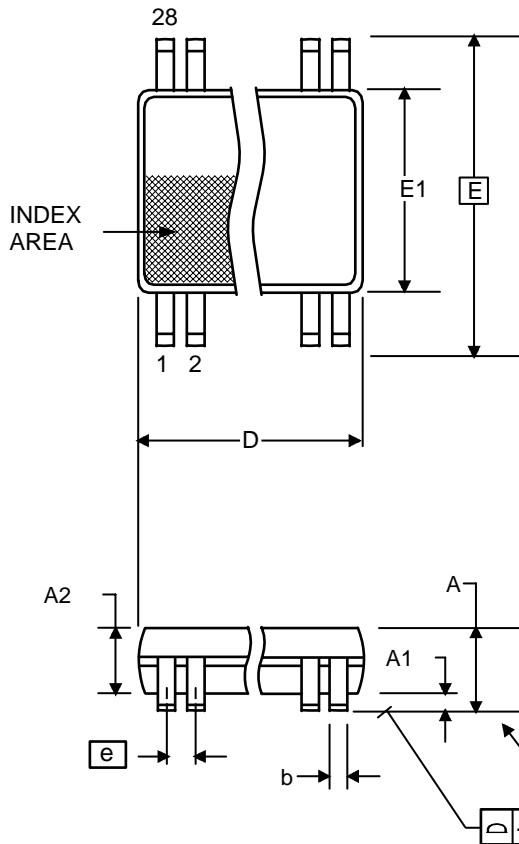


Notes:

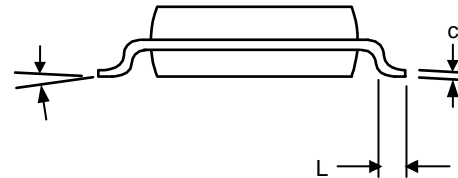
1. ##### is the lot code.
2. YYWW is the last two digits of the year, and the week.
3. "LF" designates Pb (lead) free.
4. "I" designates industrial temperature grade.

Package Outline and Package Dimensions (28-pin SSOP, 150 Mil. Body)

Package dimensions are kept current with JEDEC Publication No. 95



| Symbol | Millimeters | | Inches | |
|----------|-------------|-------|-------------|-------|
| | Min | Max | Min | Max |
| A | 1.35 | 1.75 | .053 | .069 |
| A1 | 0.10 | 0.25 | .0040 | .010 |
| A2 | -- | 1.50 | -- | .059 |
| b | 0.20 | 0.30 | 0.008 | 0.012 |
| C | 0.18 | 0.25 | .007 | .010 |
| D | 9.80 | 10.00 | .386 | .394 |
| E | 5.80 | 6.20 | .228 | .244 |
| E1 | 3.80 | 4.00 | .150 | .157 |
| e | 0.635 Basic | | 0.025 Basic | |
| L | 0.40 | 1.27 | .016 | .050 |
| α | 0° | 8° | 0° | 8° |



Ordering Information

| Part / Order Number | Marking | Shipping Packaging | Package | Temperature |
|---------------------|--------------------------|--------------------|-------------|---------------|
| 477R-05 | ICS477R-05 (top line) | Tubes | 28-pin SSOP | 0 to +70° C |
| 477R-05T | YYWW (3rd line) | Tape and Reel | 28-pin SSOP | 0 to +70° C |
| 477R-05I | ICS477R-05I (top line) | Tubes | 28-pin SSOP | -40 to +85° C |
| 477R-05IT | YYWW (3rd line) | Tape and Reel | 28-pin SSOP | -40 to +85° C |
| 477R-05LF | ICS477R-05LF (top line) | Tubes | 28-pin SSOP | 0 to +70° C |
| 477R-05LFT | YYWW (3rd line) | Tape and Reel | 28-pin SSOP | 0 to +70° C |
| 477R-05ILF | ICS477R-05ILF (top line) | Tubes | 28-pin SSOP | -40 to +85° C |
| 477R-05ILFT | YYWW (3rd line) | Tape and Reel | 28-pin SSOP | -40 to +85° C |

"LF" denotes Pb (lead) free package.

While the information presented herein has been checked for both accuracy and reliability, Integrated Circuit Systems (ICS) assumes no responsibility for either its use or for the infringement of any patents or other rights of third parties, which would result from its use. No other circuits, patents, or licenses are implied. This product is intended for use in normal commercial applications. Any other applications such as those requiring extended temperature range, high reliability, or other extraordinary environmental requirements are not recommended without additional processing by ICS. ICS reserves the right to change any circuitry or specifications without notice. ICS does not authorize or warrant any ICS product for use in life support devices or critical medical instruments.

Innovate with IDT and accelerate your future networks. Contact:

www.IDT.com

For Sales

800-345-7015
408-284-8200
Fax: 408-284-2775

For Tech Support

<product line email>
<product line phone>

Corporate Headquarters

Integrated Device Technology, Inc.
6024 Silver Creek Valley Road
San Jose, CA 95138
United States
800 345 7015
+408 284 8200 (outside U.S.)

Asia Pacific and Japan

Integrated Device Technology
Singapore (1997) Pte. Ltd.
Reg. No. 199707558G
435 Orchard Road
#20-03 Wisma Atria
Singapore 238877
+65 6 887 5505

Europe

IDT Europe, Limited
Prime House
Barnett Wood Lane
Leatherhead, Surrey
United Kingdom KT22 7DE
+44 1372 363 339



www.IDT.com