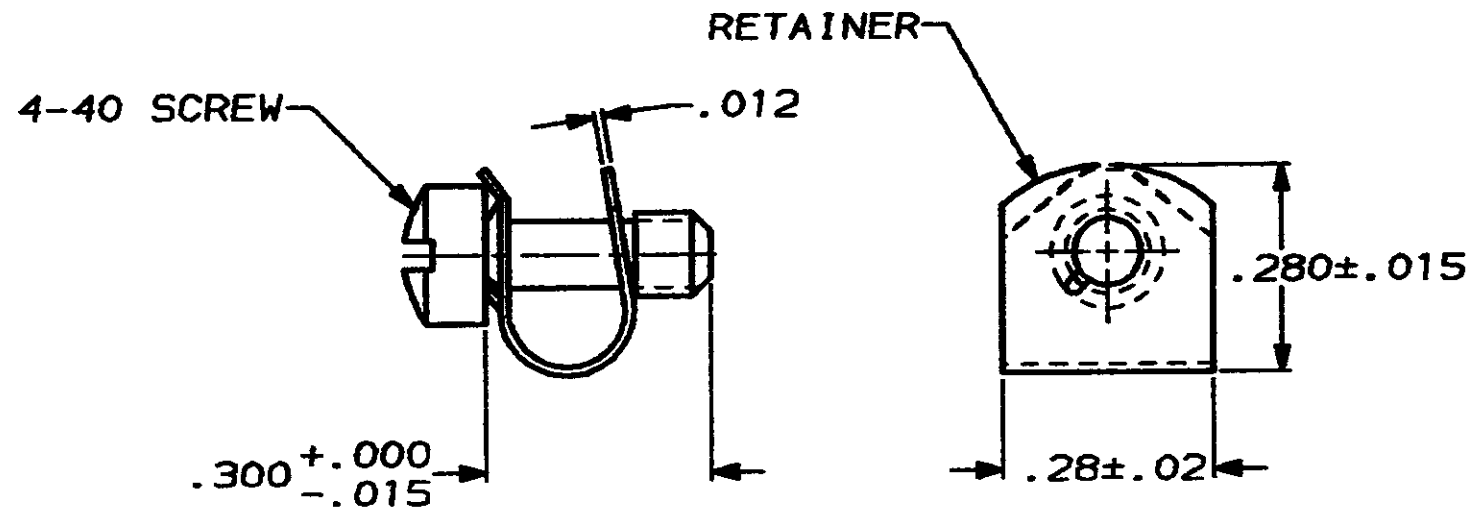


THIS DRAWING IS UNPUBLISHED. RELEASED FOR PUBLICATION .19  
 © COPYRIGHT 19 BY AMP INCORPORATED, HARRISBURG, PA. ALL INTERNATIONAL RIGHTS RESERVED. AMP PRODUCTS MAY BE COVERED BY U.S. AND FOREIGN PATENTS AND/OR PATENTS PENDING.

REVISIONS						
P	F	ZONE	LTR	DESCRIPTION	DATE	APPROVED
			0	RELEASED		
			A	REVISED ECN-BD2475	11-18-88	JS
✓	✓		B	REV PER ECN BD4276	12/10/90	-



1. PARTS PACKAGED UNASSEMBLED.
- ② CARBON STEEL.
- ③ ZINC PLATED PER ASTM B633, TYPE III, CLASS SC1, CLEAR CHROMATE.
- ④ STAINLESS STEEL PER ASTM A666.

PARTS INDIVIDUALLY BULK PACKED & SHIPPED AS A UNIT PACKAGE	746881-2
2 EACH PACKAGED AS A UNIT KIT	746881-1

REMARKS			PART NO
UNLESS OTHERWISE SPECIFIED DIMENSIONS ARE IN INCHES. TOLERANCES ON DECIMALS ± .005. ANGLES ± _____			
MATERIAL SCREW: ②	CONTRACT NO DR W. ZELKO 4-11-85	AMP INCORPORATED Harrisburg, Pa.	
RETAINER: ④	CHK J. PEACHY 5-7-85	NAME KIT, SCREW RETAINER	
FINISH SCREW: ③	APPD S. GOOD 5-6-85	LOW PROFILE HDF, AMPLIMITE®	
	APPD D. HOFFMAN 5-8-85	SIZE B	FSCN NO 00779
	DSGN APPD	DRAWING NO	746881
	OTHER APPD	SCALE NTS	SHEET 1 of 1

CUSTOMER DRAWING