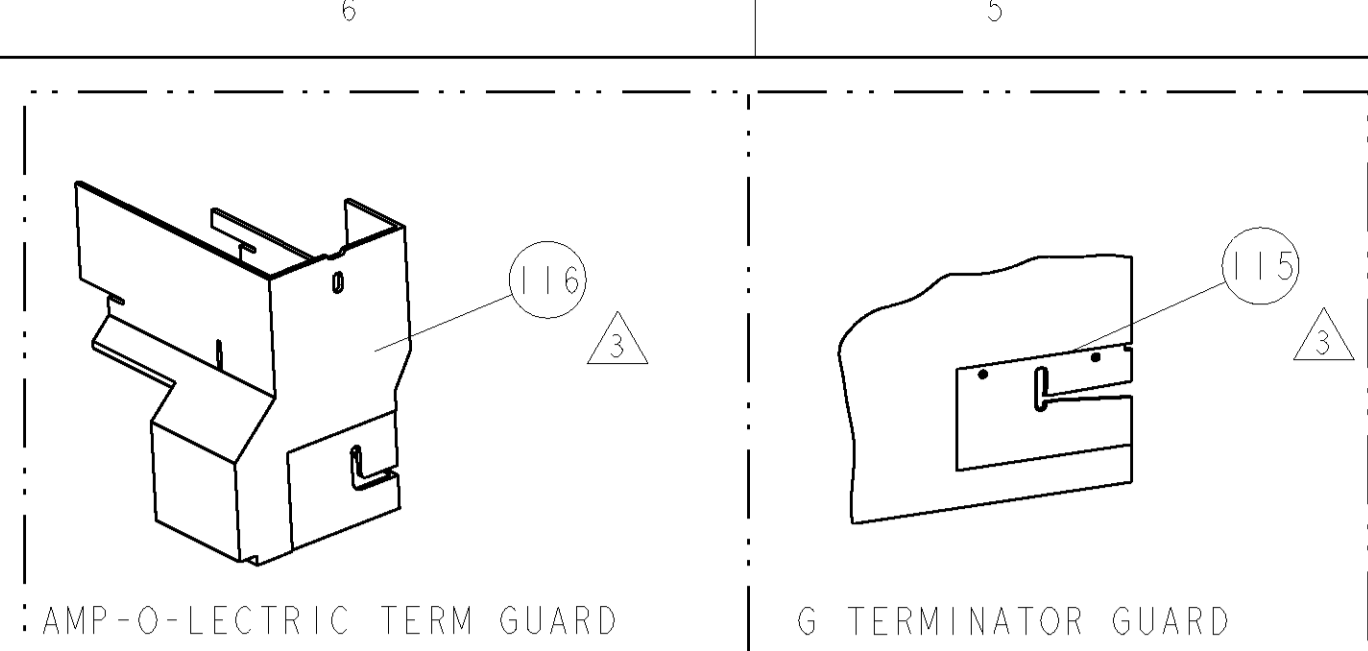


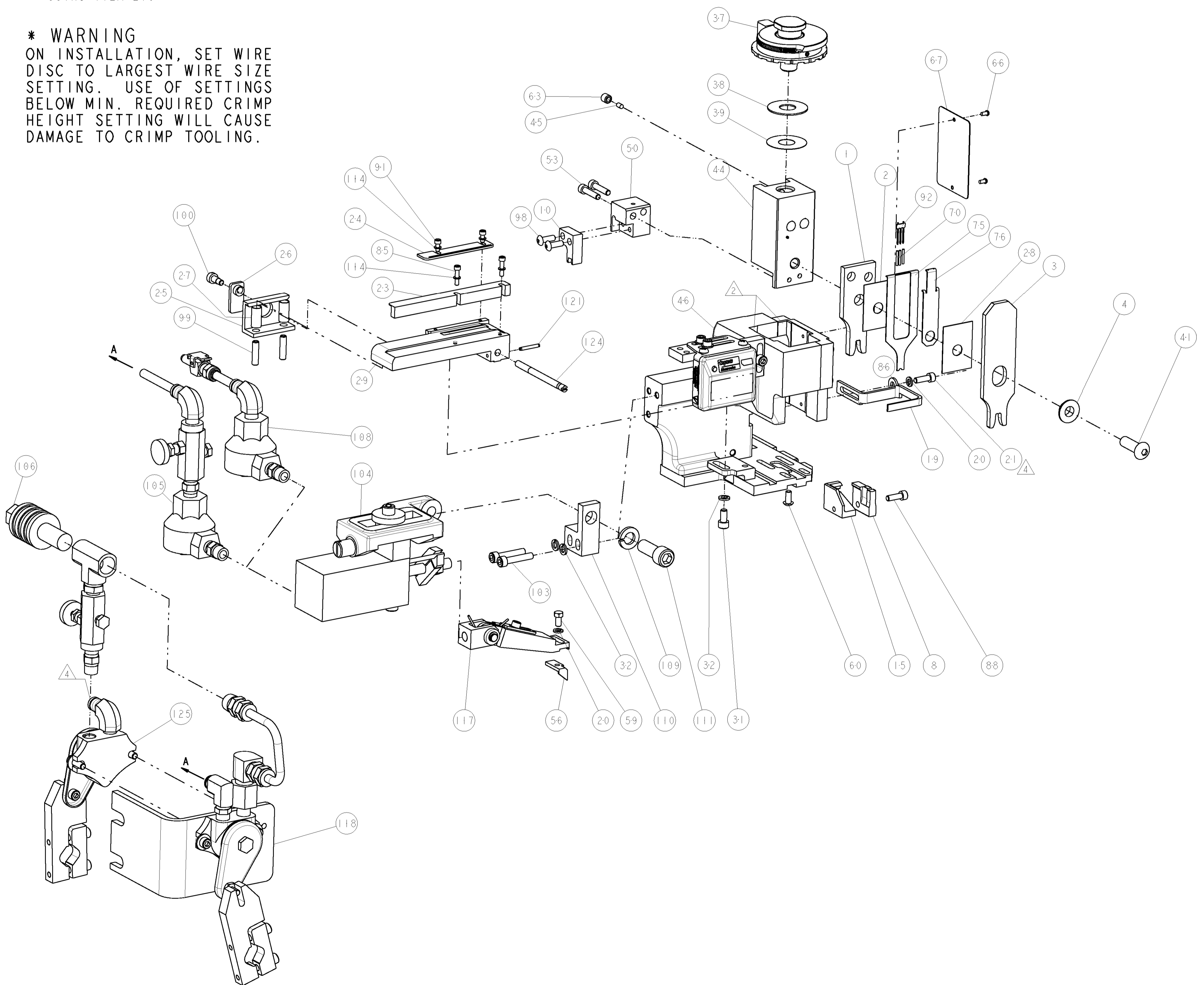
PART NUMBER	REV	FIRST USED	POWER UNIT	FEED TYPE	DESCRIPTION
1855259-1	A	122500-1	LEADMAKER	AIR FEED	CUTS CARRIER
1855259-2	A	565435-5	BENCH MODEL K	AIR FEED	CUTS CARRIER
1855259-3	A	354500-1	BENCH MODEL G	AIR FEED	CUTS CARRIER
7-1855259-7	A	-	-	-	SPARE PARTS



TERMINAL NAME: TERMINAL, RING		DELPHI TERM - DELPHI CRIMP SPECS		REF SETTING
TYCO PN	MFR PN	CRIMP HEIGHT	WIRE SIZE	
1949338	2977618			
-	-	2.75±0.05mm [1.08±.002]	2.0mm2	B3
-	-	2.64±0.05mm [1.104±.002]	1.50mm2	B9
-	-	2.60±0.05mm [1.102±.002]	1.0mm2	C2
-	-	-	-	-
CRIMP	SIZE	TYPE	RANGE	
-	3.71mm [1.146]	F	2.0-1.0mm2	
WIRE STRIP LENGTH	TERM APPL SPEC	FEED	APPLICATOR INSTRUCTIONS	SET UP GAGE
5.8-6.4mm	NONE	17.52mm	408-8040	458637-1

- ① RECOMMENDED SPARE PARTS
- ② GREASE LIGHTLY
- ③ GUARD MUST BE IN PLACE WHEN OPERATING APPLICATOR IN A BENCH MACHINE
- ④ INSTALL ITEMS 101, 102, AND 119 ON SIDE OF STRIPPER ON APPL HOUSING USING ITEM 21.

*** WARNING**
ON INSTALLATION, SET WIRE DISC TO LARGEST WIRE SIZE SETTING. USE OF SETTINGS BELOW MIN. REQUIRED CRIMP HEIGHT SETTING WILL CAUSE DAMAGE TO CRIMP TOOLING.



LOC	QTY	REV	DESCRIPTION	DATE	BY	APPV
A	66		PRODUCT RELEASE	17MAY2007	CMR	TE

-	-	1	-	-	455350-4	AIR BLAST ASS'Y	125
-	-	1	1	1	690432-3	ADJUSTMENT SCREW	124
-	-	1	1	1	3-21028-9	PIN, SLOTTED SPRING .094 X .688	121
④	-	18	24	18	IN	TUBING, POLY-FLO, NATURAL	119
-	-	1	-	-	692655-6	AIR FEED VALVE ASSEMBLY	118
-	-	1	1	1	461062-1	FEED FINGER ASSEMBLY	117
③	-	REF	-	-	455749-1	GUARD WINDOW	116
③	-	REF	-	-	679532-1	INSERT, GUARD	115
-	-	4	4	4	21024-2	WASHER, SPRG LOCK, REG NO 4	114
-	-	1	1	1	3-21001-5	SCR, SKT HD CAP 3/8-16 X 1.000	111
-	-	1	1	1	459610-1	MOUNT, FEED BRACKET	110
-	-	1	1	1	21024-8	WASHER, SPRG LOCK, REG 3/8	109
-	-	1	1	1	692655-7	AIR FEED VALVE ASSEMBLY	108
-	-	1	1	1	24042-2	VALVE, SLEEVE, 3-WAY	106
-	-	1	1	1	692655-5	AIR FEED VALVE ASSEMBLY	105
-	-	1	1	1	461065-1	ASSEMBLY, AIR FEED	104
-	-	2	2	2	3-21000-9	SCR, SKT HD CAP 10-32 X 1.000	103
-	-	1	1	1	986220-3	CLAMP, CABLE, BLACK	102
④	-	1	1	1	23238-1	INSERT, COUPLING	101
④	-	1	1	1	22353-8	SCR, SHLD, SLOT HD, 3/16 DIA	100
-	-	2	2	2	5-21006-6	SCR, SET, CUP POINT 10-32 X .750	99
-	-	2	2	2	2-21002-2	SCR, BTN SKT HD CAP 8-32 X .500	98
-	-	1	1	1	1424350-1	HOLDER, PIN, WIRED	92
-	-	2	2	2	1-21000-3	SCR, SKT HD CAP 4-40 X .250	91
-	-	1	1	1	2-21000-7	SCR, SKT HD CAP 8-32 X .500	88
-	-	1	1	1	21055-7	WASHER, FLAT, REG NO 10	86
-	-	2	2	2	1-21000-5	SCR, SKT HD CAP 4-40 X .500	85
-	-	1	1	1	1490524-1	DEPRESSOR, SPACER	76
-	-	1	1	1	1490525-3	DEPRESSOR, WIRE	75
-	-	1	1	1	4088040	SF APPL INST 408-8040	72
-	-	1	1	1	217238-1	GENERAL INSTRUCTION PKG	71
-	-	3	3	3	2-23147-2	SPRING, COMPRESSION	70
-	-	1	1	1	461264-5	PLATE, IDENTIFICATION	67
-	-	2	2	2	21017-2	SCREW, DRIVE	66
-	-	1	1	1	21009-2	SCR, SET, SELF LOCKING 1/4-20 X .250	63
-	-	1	1	1	22733-8	SCR, BHSC, SELF-LOCKING, 8-32 X .375	60
-	-	1	1	1	2-22603-0	SCR, HEX HD CAP 8-32 X .312	59
-	-	1	1	1	3-694433-9	FEED PAWL	56
-	-	2	2	2	2-21000-9	SCR, SKT HD CAP 8-32 X .750	53
-	-	1	1	1	1583893-6	HOLDER, SLUG BLADE	50
-	-	1	1	1	1633399-1	APPL., BASIC AIR FEED SUB ASSY	46
-	-	1	1	1	690191-1	PLUG, NYLON	45
-	-	1	1	1	1-455673-4	RAM, SIDE FEED	44
-	-	1	1	1	7-21002-9	SCR, BTN SKT HD CAP 5/16-24 X 1.00	41
-	-	1	1	1	690125-1	SHIM SUB-ASSY	39
-	-	1	1	1	469367-7	SHIM	38
-	-	1	1	1	879103-2	FINE ADJUST HEAD ASSEMBLY	37
-	-	3	3	3	21024-5	WASHER, SPRG LOCK, REG NO 10	32
-	-	1	1	1	3-21000-4	SCR, SKT HD CAP 10-32 X .375	31
-	-	1	1	1	3-844048-4	PLATE, REAR STRIP GUIDE	29
-	-	1	1	1	455888-4	SPACER, CRIMPER	28
-	-	2	2	2	22281-9	SPRING, COMPRESSION	27
-	-	1	1	1	356835-1	LEVER, DRAG RELEASE	26
-	-	1	1	1	240792-1	DRAG, TERMINAL	25
-	-	1	1	1	1-690438-5	FRONT STRIP GUIDE	24
-	-	1	1	1	1-189124-1	GUIDE, FRONT STRIP	23
-	-	1	1	1	2-21000-7	SCR, SKT HD CAP 8-32 X .500	21
-	-	2	2	2	21024-4	WASHER, SPRG LOCK, REG NO 8	20
-	-	1	1	1	1-456468-1	STRIPPER, SPECIAL	19
①	-	1	1	1	1-1633124-2	PLATE, REAR SHEAR	15
①	-	1	1	1	1583859-8	BLADE, SLUG	10
①	-	1	1	1	1-1633507-0	ANVIL, SPECIAL, COMBINATION	8
-	-	1	1	1	3-238009-3	BLOCK, FL CRIMPER SPACER	4
①	-	1	1	1	6-1213077-0	CRIMPER, INSULATION PREMIUM	3
①	-	1	1	1	455888-3	SPACER, CRIMPER	2
①	-	1	1	1	8-1633305-7	CRIMPER, WIRE PREMIUM	1

DIMENSIONS: INCHES		TOLERANCES UNLESS OTHERWISE SPECIFIED:		APPROVED: T. ELBIN		DATE: APRIL 2007			
0 PLC	±	1 PLC	±0.1	NAME: T. BENCHOFF		DATE: APRIL 2007		Tyco Electronics Harrisburg, PA 17105-3608	
2 PLC	±0.01	3 PLC	±0.001	PRODUCT SPEC: -		APPLICATION SPEC: -		SIZE: A 00779 C=1855259	
4 PLC	±0.0001	ANGLES	±	WEIGHT: -		CUSTOMER DRAWING: -		SCALE: 3:5 SHEET: 1 OF 1 REV: A	

CUSTOMER VIEWABLE ASSEMBLY