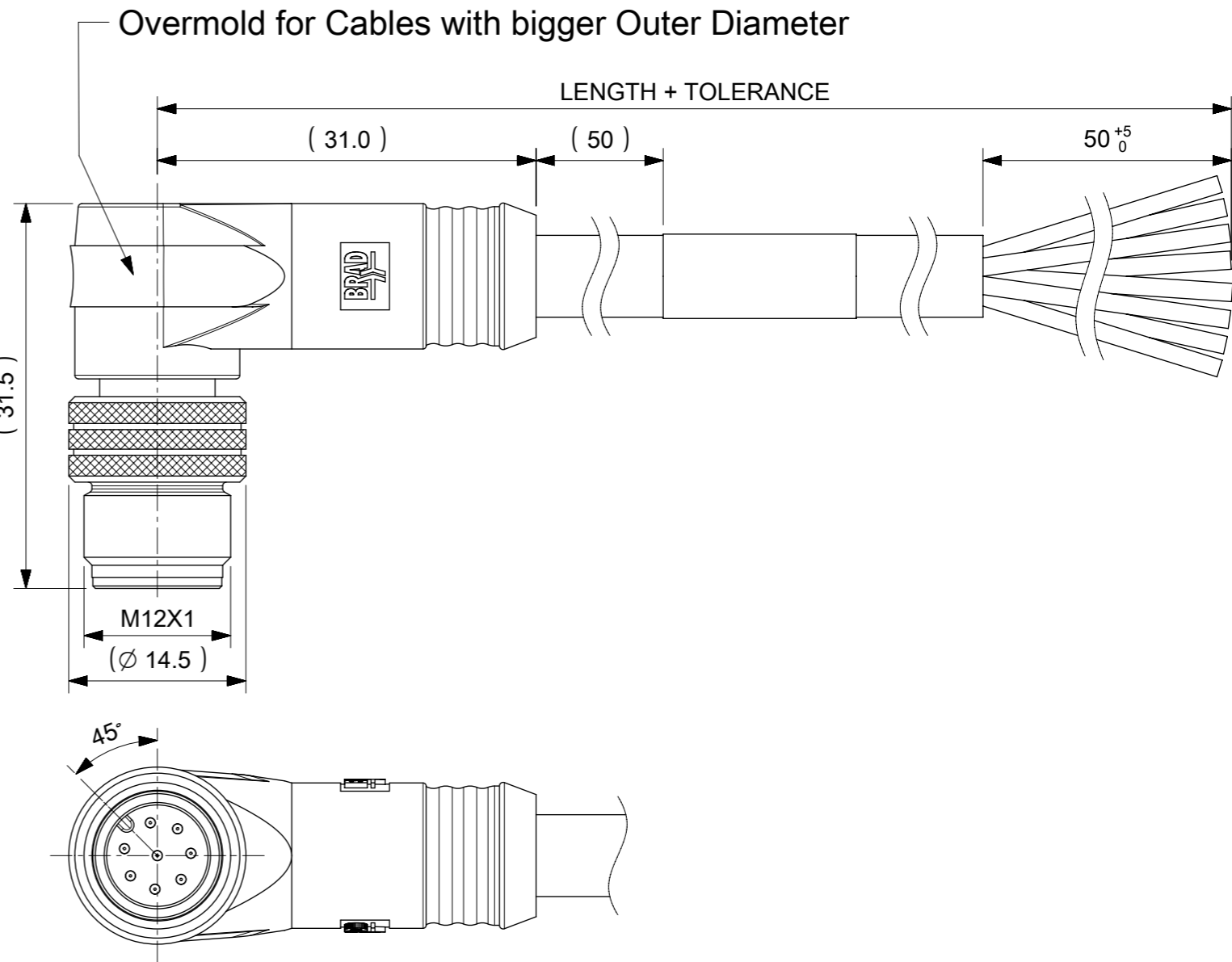
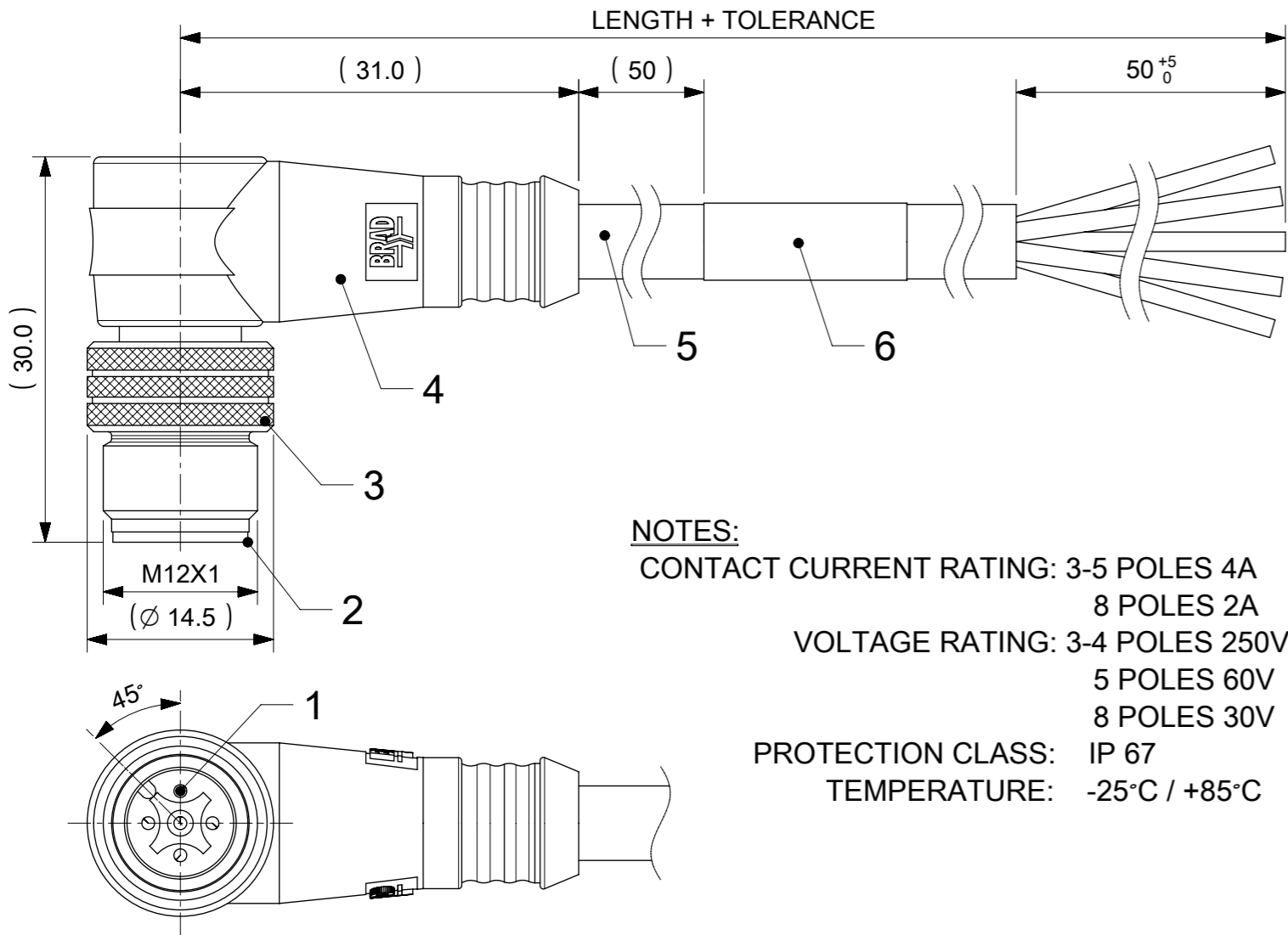


MALE PLUG M12 90° ANGLED



NOTES:

CONTACT CURRENT RATING: 3-5 POLES 4A
 8 POLES 2A
 VOLTAGE RATING: 3-4 POLES 250V
 5 POLES 60V
 8 POLES 30V
 PROTECTION CLASS: IP 67
 TEMPERATURE: -25°C / +85°C

CONTACT POSITION FRONT VIEW:

3 POLES		4 POLES		5 POLES		8 POLES	
PIN	WIRE	PIN	WIRE	PIN	WIRE	PIN	WIRE
1	BROWN	1	BROWN	1	BROWN	1	WHITE
2	---	2	WHITE	2	WHITE	2	BROWN
3	BLUE	3	BLUE	3	BLUE	3	GREEN
4	BLACK	4	BLACK	4	BLACK	4	YELLOW
5	---	5	---	5	GREY	5	GREY
						6	PINK
						7	BLUE
						8	RED

CODING REQUIRED TO IEC 61076-2-101

FOR OPTIONS SEE - NUMERICAL CODE - ON SHEET 2

ITEM	QTY.	DESCRIPTION	MATERIAL	FINISH
6	1	LABEL OR PRINTING	VINYL / ---	---
5	-	CABLE	SEE SHEET 2	---
4	-	OVERMOULDING BLACK	TPU	NICKEL
3	1	COUPLING NUT MALE	BRASS	NICKEL
2	1	INSERT MALE BLACK	PUR	---
1	3 / 4 / 5 / 8	CONTACT M12 MALE	BRASS	SELECTIVE GOLD OVER NICKEL

THIS DRAWING CONTAINS INFORMATION THAT IS PROPRIETARY TO MOLEX ELECTRONIC TECHNOLOGIES, LLC AND SHOULD NOT BE USED WITHOUT WRITTEN PERMISSION

QUALITY SYMBOLS	2016/01/14	2016/04/08	GENERAL TOLERANCES (UNLESS SPECIFIED)	DIMENSION UNITS	SCALE	<p>CSE M12 XP AC MA RA XM SE UNSH</p> <p>PRODUCT CUSTOMER DRAWING</p>
FA = 0	DRWN: JMARSZALEK	CHK'D: RSILLER	4 PLACES ±	MM	2:1	
FE = 0	EC NO: 103195	APPR: RSILLER	3 PLACES ±	DRWN BY: JMARSZALEK	DATE: 2016/01/14	
FB = 0			2 PLACES ± 0.05	CHK'D BY: RSILLER	DATE: 2016/04/08	
FC = 0			1 PLACE ± 0.1	APPR BY: RSILLER	DATE: 2016/04/08	<p>SERIES: 120065</p> <p>MATERIAL NUMBER: SEE SHEET 3</p> <p>CUSTOMER: GENERAL MARKET</p>
FD = 0			0 PLACES ± 0.2	DRAWING SIZE: A3	THIRD ANGLE PROJECTION	
FE = 0			DRAFT WHERE APPLICABLE MUST REMAIN WITHIN DIMENSIONS			<p>DOCUMENT NUMBER: 1200659138</p> <p>DOC TYPE: PSD</p> <p>DOC PART: 000</p> <p>SHEET NUMBER: 1 OF 3</p>

ENGINEERING NO. - NUMERICAL CODE (Available parts see PART LIST table. Others on request).

OPTIONS

80X007XXXXXX

80=M12x1
Single ended

Poles:
3=3 Poles
4=4 Poles
5=5 Poles
8=8 Poles

Heads style:
007=Plug Male
90° Angled

Cable type: See Table

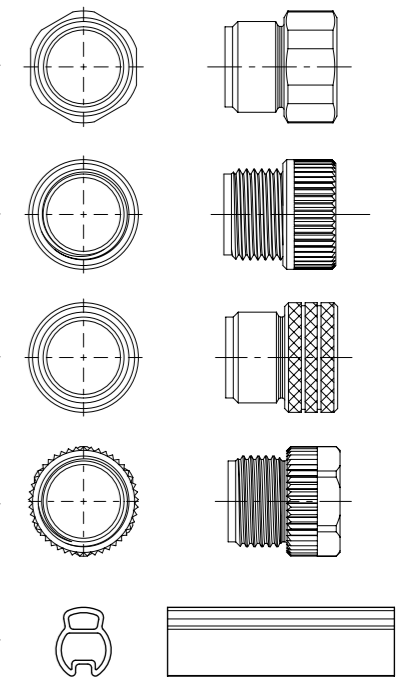
Units:
M=Meter
C=Centimeter
T=10x Meter

Length
Examples:
005=0.5 units
010=1 units
020=1 units
050=5 units
100=10 units
150=15 units
200=20 units

Overmold color:
Blank (Standard)=Black
A=Grey / G=Black / Y=Yellow

Coupling Nut:
Blank (Standard)=Knurled Brass Ni Plated
1=Hexagonal Stainless steel
5=Knurled Derlin
7=Knurled Brass Ni Plated, Teflon Coated
9=Knurled / Hexagonal Brass Ni Plated

H= 2 pcs. of I/D Carrier PVC Transparent
(Cables lxx & P82 always with
2 pcs. I/D Carrier)



CABLE INFORMATION (for more information see Cable Data Sheet).

CABLE TYPE	NO. OF WIRES	CROSS SECTION	CABLE JACKET	UL	CSA	STATIC: TEMP. / BENDING RADIUS	DYNAMIC: TEMP. / BENDING RADIUS	DRAG CHAIN	SHIELD
E02	3 / 4 / 5 / 8	0.25mm ²	PVC BLACK	UL 2464/1729	C22.2 I/II A/B 80°/300V	-30°C to +80°C, 10xO.D.	-10°C to +80°C, 15xO.D.	-	-
E03	3 / 4 / 5	0.34mm ²	PVC BLACK	UL 2464/1729	C22.2 I/II A/B 80°/300V	-30°C to +80°C, 10xO.D.	-10°C to +80°C, 15xO.D.	-	-
H08	3 / 4 / 5 / 8	0.25mm ²	PUR BLACK LS0H	UL 21198/10493	C22.2 I/II A/B 80°/300V	-40°C to +80°C, 5xO.D.	-25°C to +80°C, 10xO.D.	2 000 000 cycles, Temp max 60°C	-
H09	3 / 4 / 5	0.34mm ²	PUR BLACK LS0H	UL 21198/10493	C22.2 I/II A/B 80°/300V	-40°C to +80°C, 5xO.D.	-25°C to +80°C, 10xO.D.	2 000 000 cycles, Temp max 60°C	-
P02	3 / 4 / 5 / 8	0.25mm ²	PUR / PVC BLACK	-	-	-30°C to +80°C, 7xO.D.	-5°C to +80°C, 15xO.D.	-	-
P03	3 / 4 / 5	0.34mm ²	PUR / PVC BLACK	-	-	-30°C to +80°C, 7xO.D.	-5°C to +80°C, 15xO.D.	-	-

CABLE LENGTH TOLERANCES

OVER	UP TO AND INCLUDING	TOLERANCES
0	305mm	+19mm
305mm	915mm	+45mm
915mm	1830mm	+56mm
1830mm	3660mm	+89mm
3660mm	7320mm	+165mm
7320mm	14640mm	+317mm
14640mm	30500mm	+610mm
30500mm	>	+2% of finished length

THIS DRAWING CONTAINS INFORMATION THAT IS PROPRIETARY TO MOLEX ELECTRONIC TECHNOLOGIES, LLC AND SHOULD NOT BE USED WITHOUT WRITTEN PERMISSION

QUALITY SYMBOLS FA = 0 FE = 0 FB = 0 FV = 0 FC = 0 FX = 0 F■ = 0 F▽ = 0	EC NO: 103195 DRWN: JMARSZALEK CHK'D: RSILLER APPR: RSILLER	2016/01/14 2016/04/08	GENERAL TOLERANCES (UNLESS SPECIFIED) ANGULAR TOL ± 1.0 °		DIMENSION UNITS MM	SCALE 1:1					
			4 PLACES ±	3 PLACES ±	2 PLACES ± 0.05	1 PLACE ± 0.1		0 PLACES ± 0.2	DRWN BY: JMARSZALEK DATE: 2016/01/14	CHK'D BY: _____ DATE: _____	
			DRAFT WHERE APPLICABLE MUST REMAIN WITHIN DIMENSIONS					APPR BY: RSILLER DATE: 2016/04/08	DRAWING SIZE: A3	THIRD ANGLE PROJECTION	
			PRODUCT CUSTOMER DRAWING		SERIES: 120065	MATERIAL NUMBER: SEE SHEET 3		CUSTOMER: GENERAL MARKET			
RELEASE STATUS: P1		RELEASE DATE: 08.04.2016 07:21:48		DOCUMENT NUMBER: 1200659138		DOC TYPE: PSD	DOC PART: 000	SHEET NUMBER: 2 OF 3			

PART LIST

Pos.	Part No.	Engineering No.	Cable Length
1	1200060273	803007E03M020	2m
2	1200060275	803007E03M050	5m
3	1200060288	803007P03M020	2m
4	1200060289	803007P03M030	3m
5	1200060582	804007E03M010	1m
6	1200060583	804007E03M030	3m
7	1200060584	804007E03M050	5m
8	1200060592	804007P03M020	2m
9	1200060593	804007P03M030	3m
10	1200060594	804007P03M050	5m
11	1200060595	804007P03M100	10m
12	1200060696	805007P03M015	1.5m
13	1200060697	805007P03M020	2m
14	1200060699	805007P03M040	4m
15	1200061764	804007P03M010	1m
16	1200061975	804007E03M020	2m
17	1200062055	803007P03M050	5m
18	1200062238	804007E03M100	10m
19	1200062498	805007E03M100	10m
20	1200062638	804007E03M006	0.6m
21	1200062680	804007E03M0101	1m
22	1200062681	804007E03M0201	2m
23	1200062682	804007E03M0501	5m
24	1200062929	805007E03M050	5m
25	1200063575	804007E03M1001	10m
26	1200063576	804007E03M1501	15m
27	1200063656	804007E03M2001	20m
28	1200064175	804007E03M4001	40m
29	1200064178	804007P03M005	0.5m
30	1200064280	804007E03M200	20m
31	1200064294	804007P03M200	20m
32	1200064394	804007P03M020G	2m
33	1200651800	808007P02M020	2m
34	1200652145	804007P03M040	4m
35	1200652149	805007P03M060	6m

Pos.	Part No.	Engineering No.	Cable Length
36	1200655006	805007P03M100	10m
37	1200658096	805007E03M020	2m
38	1200658186	805007P03M050	5m
39	1200658235	804007E03M2501	25m
40	1200658258	808007P02M050	5m
41	1200658259	808007P02M100	10m
42	1200658506	803007E03M100	10m
43	1200658515	804007E03M0501H	5m
44	1200658516	804007E03M1001H	10m
45	1200658549	808007E02M020	2m
46	1200658567	803007E03M010	1m
47	1200658568	803007E03M030	3m
48	1200658569	803007E03M040	4m
49	1200658572	804007E03M040	4m
50	1200658580	808007E02M010	1m
51	1200658581	808007E02M030	3m
52	1200658582	808007E02M040	4m
53	1200658583	808007E02M050	5m
54	1200658584	808007E02M100	10m
55	1200658614	803007P03M040	4m
56	1200658615	803007P03M010	1m
57	1200658618	803007P03M100	10m
58	1200658626	808007P02M010	1m
59	1200658628	808007P02M030	3m
60	1200658629	808007P02M040	4m
61	1200658720	803007H09M010	1m
62	1200658721	803007H09M015	1.5m
63	1200658722	803007H09M020	2m
64	1200658723	803007H09M030	3m
65	1200658724	803007H09M040	4m
66	1200658725	803007H09M050	5m
67	1200658726	803007H09M100	10m
68	1200658734	804007H09M010	1m
69	1200658735	804007H09M015	1.5m
70	1200658736	804007H09M020	2m

Pos.	Part No.	Engineering No.	Cable Length
71	1200658737	804007H09M030	3m
72	1200658738	804007H09M040	4m
73	1200658739	804007H09M050	5m
74	1200658740	804007H09M100	10m
75	1200658748	805007H09M010	1m
76	1200658749	805007H09M015	1.5m
77	1200658750	805007H09M020	2m
78	1200658751	805007H09M030	3m
79	1200658752	805007H09M040	4m
80	1200658753	805007H09M050	5m
81	1200658754	805007H09M100	10m
82	1200658755	808007H08M010	1m
83	1200658756	808007H08M015	1.5m
84	1200658757	808007H08M020	2m
85	1200658758	808007H08M030	3m
86	1200658759	808007H08M040	4m
87	1200658760	808007H08M050	5m
88	1200658761	808007H08M100	10m
89	1200659081	804007E03M050Y	5m
90	1200659138	805007E03M010	1m
91	1200659143	805007H09M200	20m
92	1200659146	805007E03M200	20m
93	1200659151	805007P03M150	15m
94	1200659230	805007P03M010	1m
95	1200659231	805007P03M200	20m
96	1200659247	805007E03M020Y	2m
97	1200659249	805007P03M050Y	5m
98	1200659511	808007E02M1001	10m
99			
100			
101			
102			
103			
104			
105			

Pos.	Part No.	Engineering No.	Cable Length
106			
107			
108			
109			
110			
111			
112			
113			
114			
115			
116			
117			
118			
119			
120			
121			
122			
123			
124			
125			
126			
127			
128			
129			
130			
131			
132			
133			
134			
135			
136			
137			
138			
139			
140			

<p>QUALITY SYMBOLS</p> <p>FA = 0</p> <p>FE = 0</p> <p>FB = 0</p> <p>FV = 0</p> <p>FC = 0</p> <p>FX = 0</p> <p>FS = 0</p> <p>FV = 0</p>	THIS DRAWING CONTAINS INFORMATION THAT IS PROPRIETARY TO MOLEX ELECTRONIC TECHNOLOGIES, LLC AND SHOULD NOT BE USED WITHOUT WRITTEN PERMISSION			
	<p>2016/01/14</p> <p>2016/04/08</p>	<p>GENERAL TOLERANCES (UNLESS SPECIFIED)</p> <p>ANGULAR TOL ± 1.0 °</p>	<p>DIMENSION UNITS</p> <p>MM</p>	<p>SCALE</p> <p>1:1</p>
	<p>DRWN BY</p> <p>JMARSZALEK</p>	<p>DATE</p> <p>2016/01/14</p>	<p>CHK'D BY</p>	<p>DATE</p>
	<p>APPR BY</p> <p>RSILLER</p>	<p>DATE</p> <p>2016/04/08</p>	<p>DRAWING SIZE</p> <p>A3</p>	<p>THIRD ANGLE PROJECTION</p>
<p>EC NO: 103195</p> <p>DRWN: JMARSZALEK</p> <p>CHK'D:</p> <p>REV APPR: RSILLER</p>	<p>DRAFT WHERE APPLICABLE MUST REMAIN WITHIN DIMENSIONS</p>	<p>PRODUCT CUSTOMER DRAWING</p>		
<p>120065</p>	<p>SEE PART LIST</p>	<p>GENERAL MARKET</p>		
<p>1200659138</p>	<p>PSD</p>	<p>000</p>	<p>3 OF 3</p>	