

4

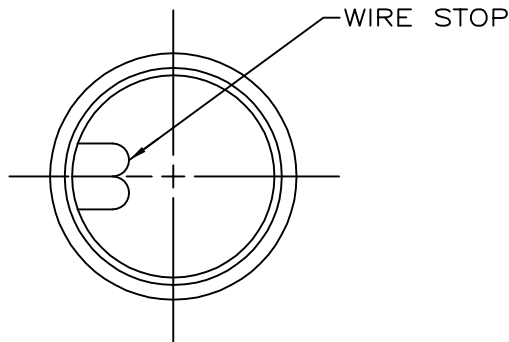
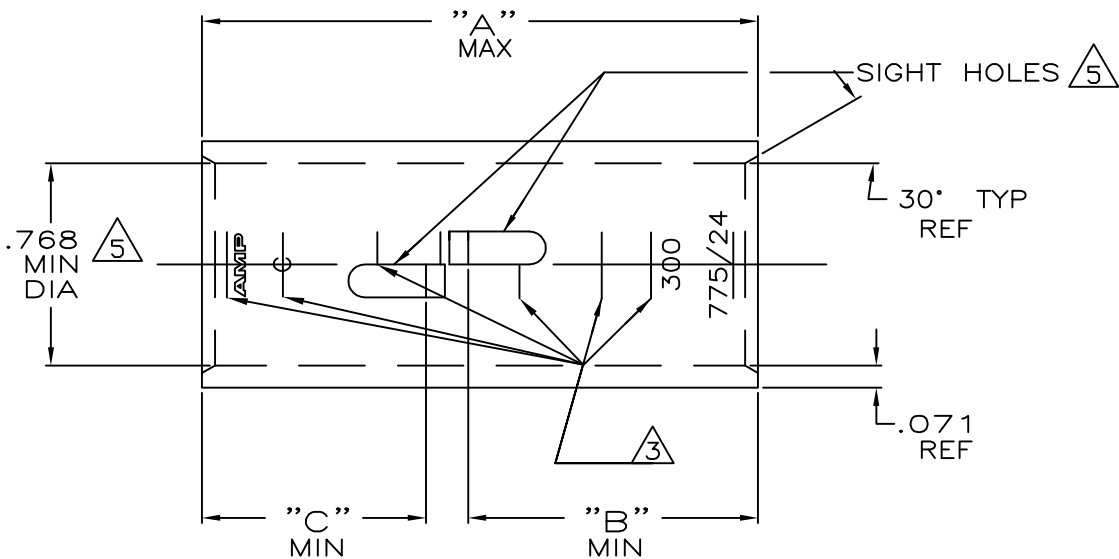
3

2

1

THIS DRAWING IS UNPUBLISHED. RELEASED FOR PUBLICATION
 © COPYRIGHT - By - ALL RIGHTS RESERVED.

LOC	DIST	REVISIONS					
G	86	P	LTR	DESCRIPTION	DATE	DWN	APVD
		U		ECR-13-000998	11FEB2013	PK	HS



- 1 TIN PL .000150 MIN THK PER ASTM B-545
- 2 PART NO: 324463; .116 LB.
PART NO: 1-324463-0; .116 LB.
PART NO: 2-324463-5; .132 LB.
- 3 CRIMP LOCATION MARKS ON P/N 2-324463-5 ONLY.
- 4 CLEANED, UNPLATED
- 5 .045 MAX BURR ALLOWED INSIDE THE WIRE BARREL ID IN AREA OF SIGHT HOLE.

1.10	.85	2.18	1	1	275-325 MCM	COPPER ASTM-B-75 ANNEALED	2-324463-5
.85	.85	1.93	2	2			1-324463-0
"C"	"B"	"A"	FINISH		WIRE RANGE	MATERIAL	PART No

THIS DRAWING IS A CONTROLLED DOCUMENT.

DWN	DK SCHRUM	4/24/89		NAME SPLICE, BUTT, AMPPOWER WIRE SIZE: 300 MCM		
CHK	MS FEHER	4/24/89				
APVD	WJ VOCKROTH	11/8/89				
PRODUCT SPEC						
APPLICATION SPEC			SIZE	CAGE CODE	DRAWING NO	RESTRICTED TO
MATERIAL	FINISH	WEIGHT	A3	PK	C=324463	
SEE TABLE	SEE TABLE	CUSTOMER DRAWING	SCALE	SHEET	REV	
			2:1	1 OF 1	U	