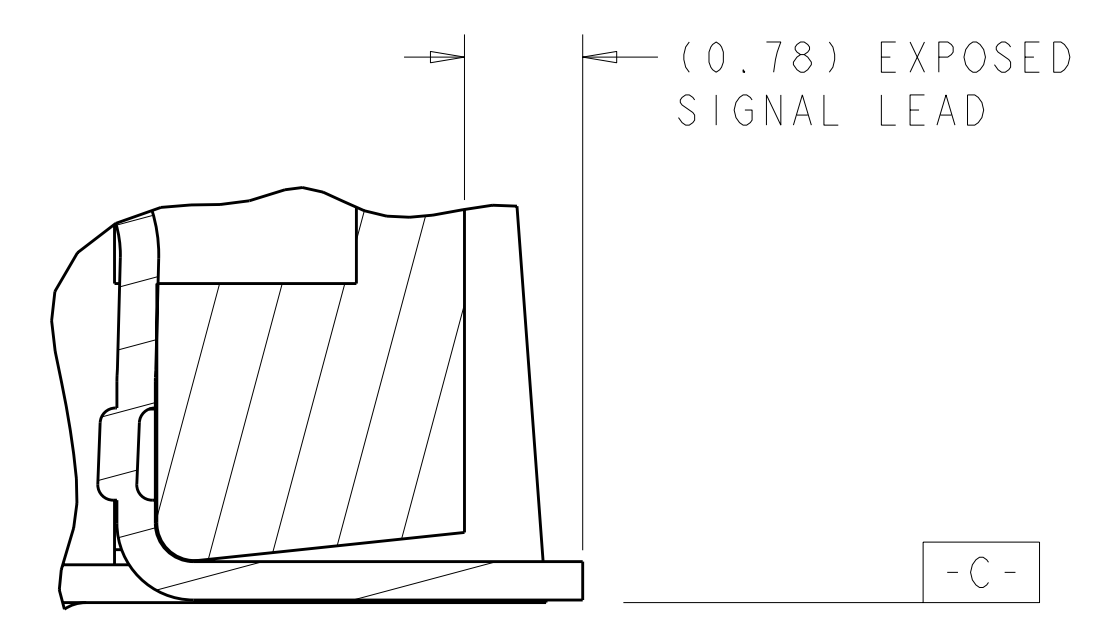
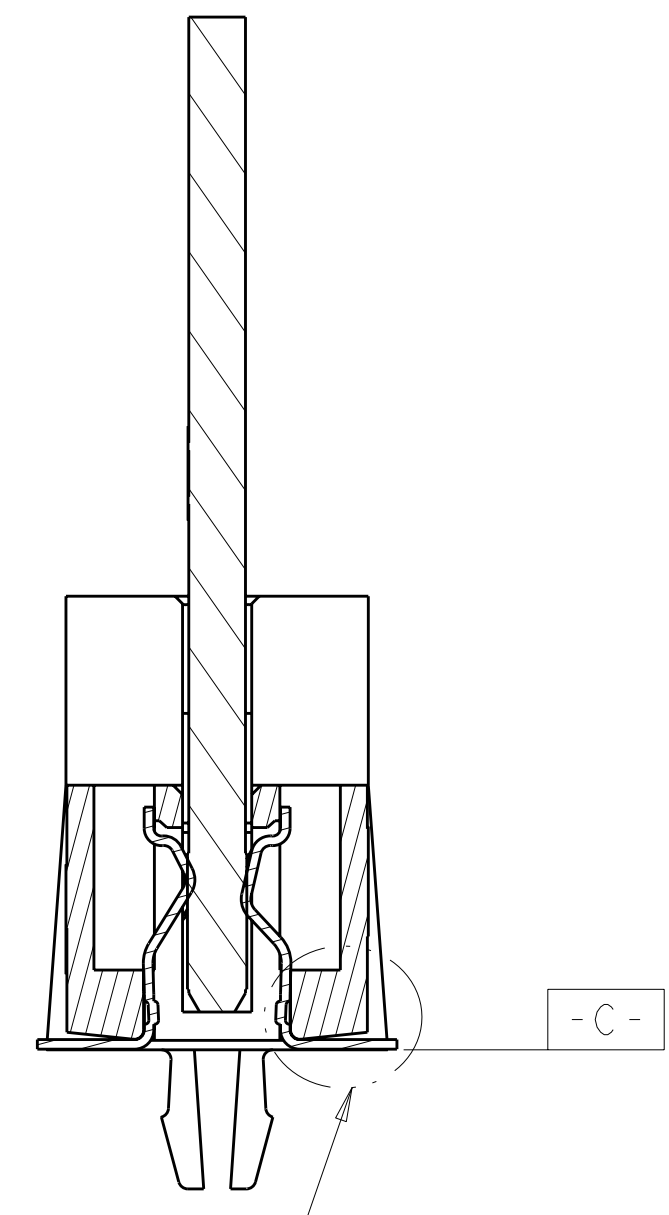
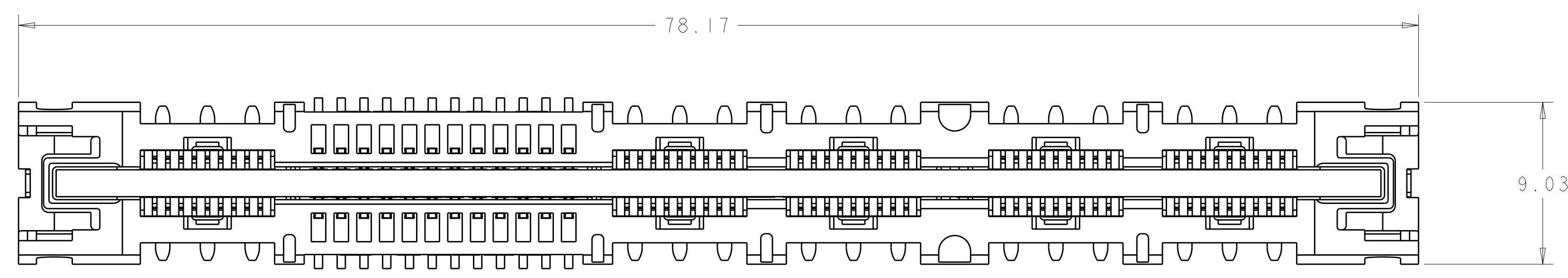


LOC	DIST	REV	DATE	BY	APPD
GP	00				

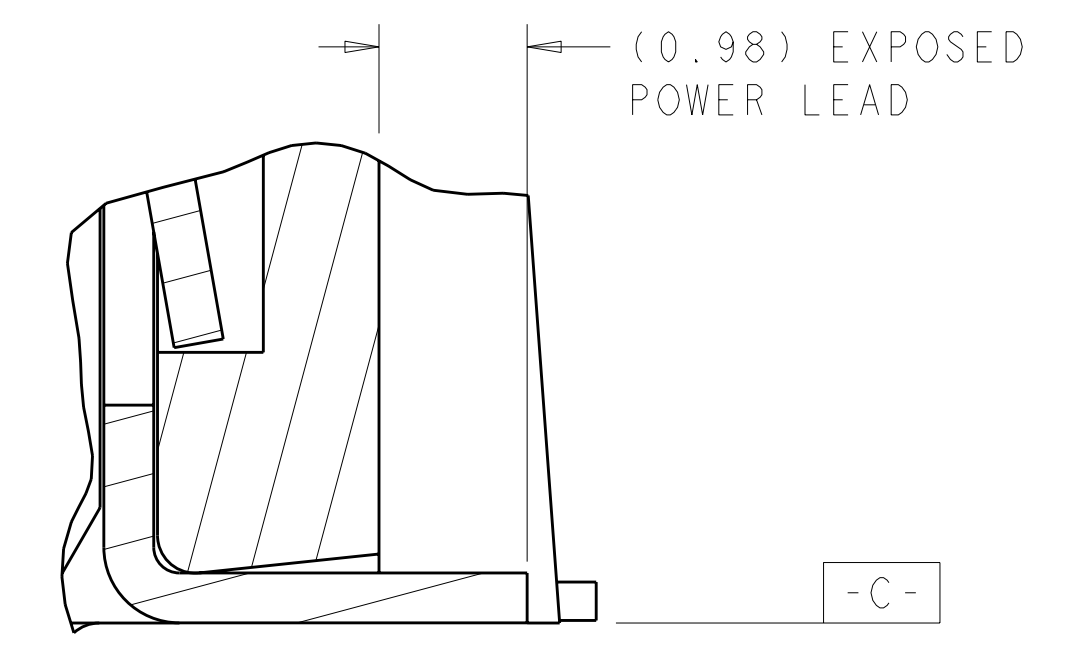
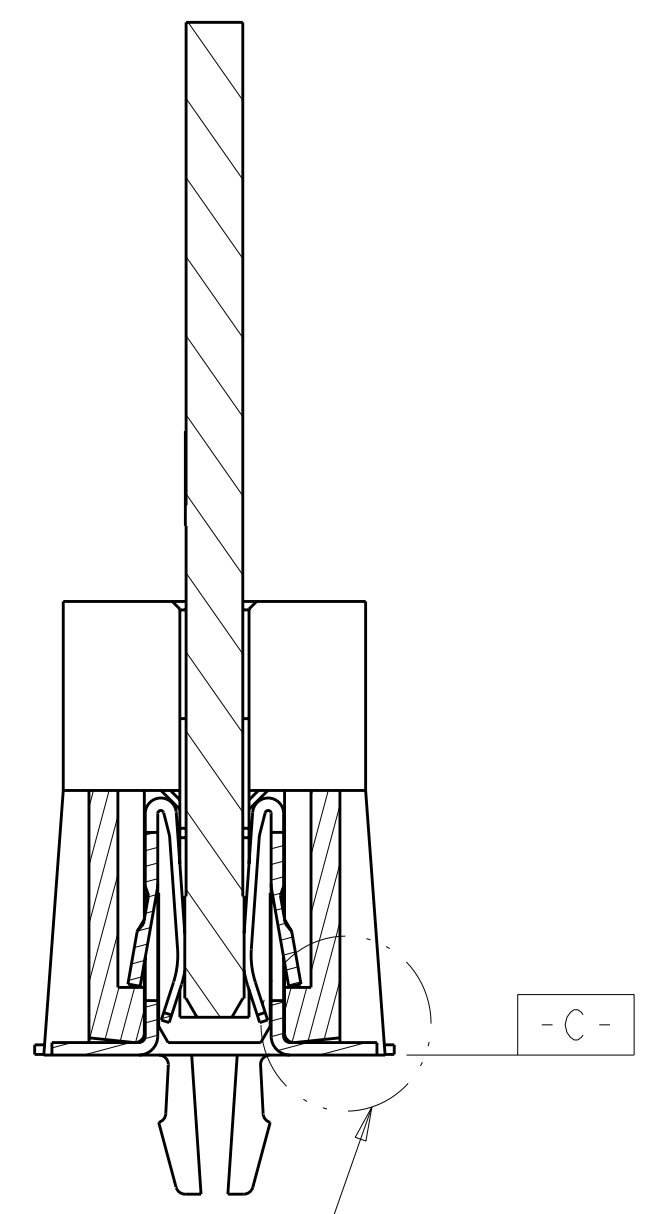
REV	DATE	DESCRIPTION	BY	APPD
-	-	SEE SHEET 1	-	-



DETAIL H
SCALE 20:1

SEE DETAIL H

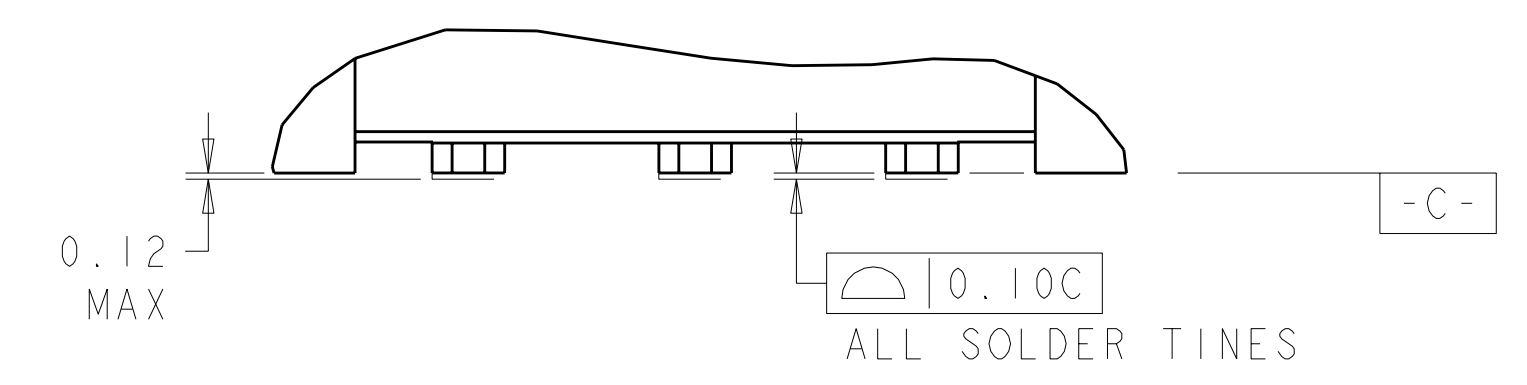
SECTION R-R



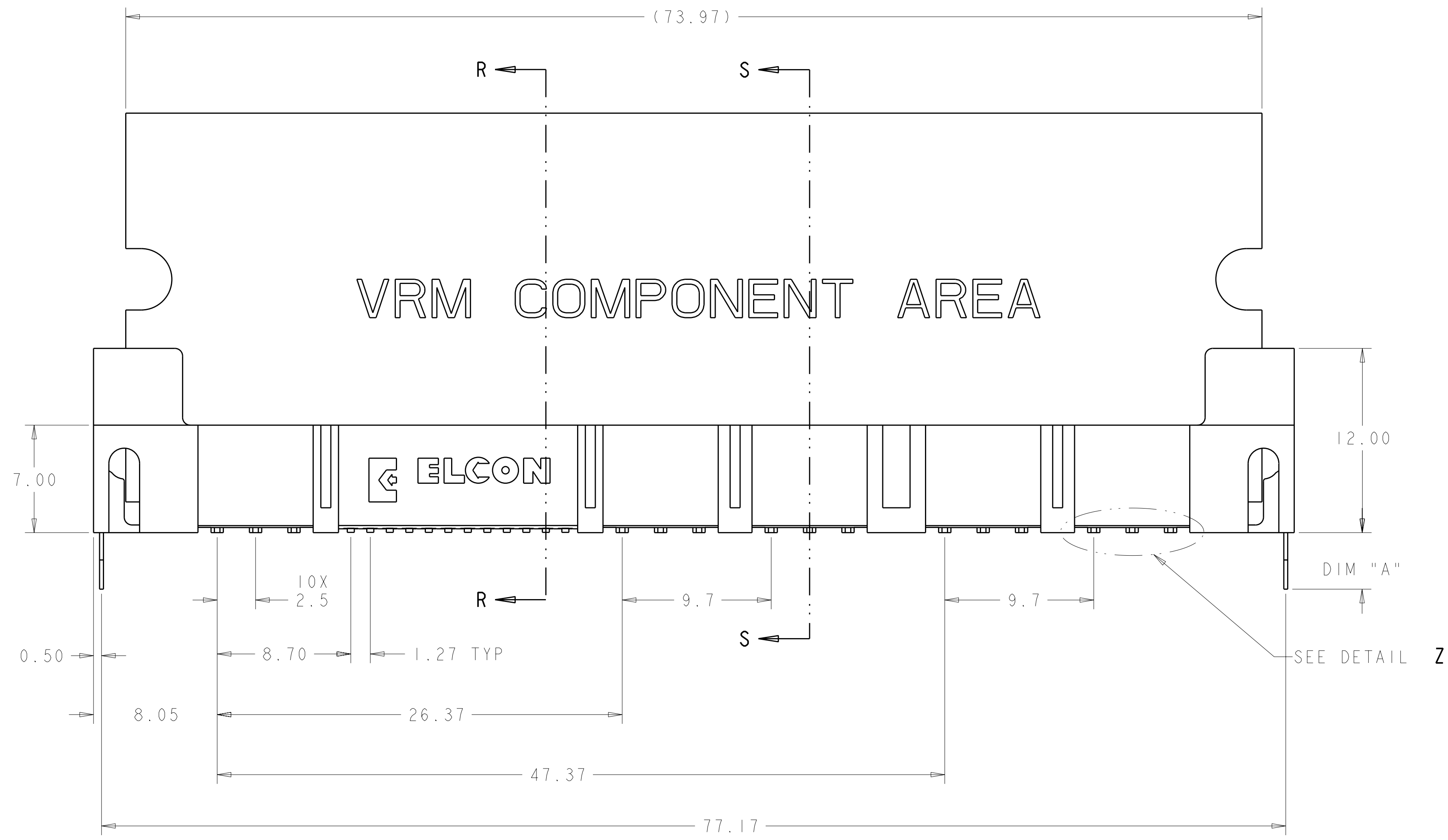
DETAIL G
SCALE 20:1

SEE DETAIL G

SECTION S-S

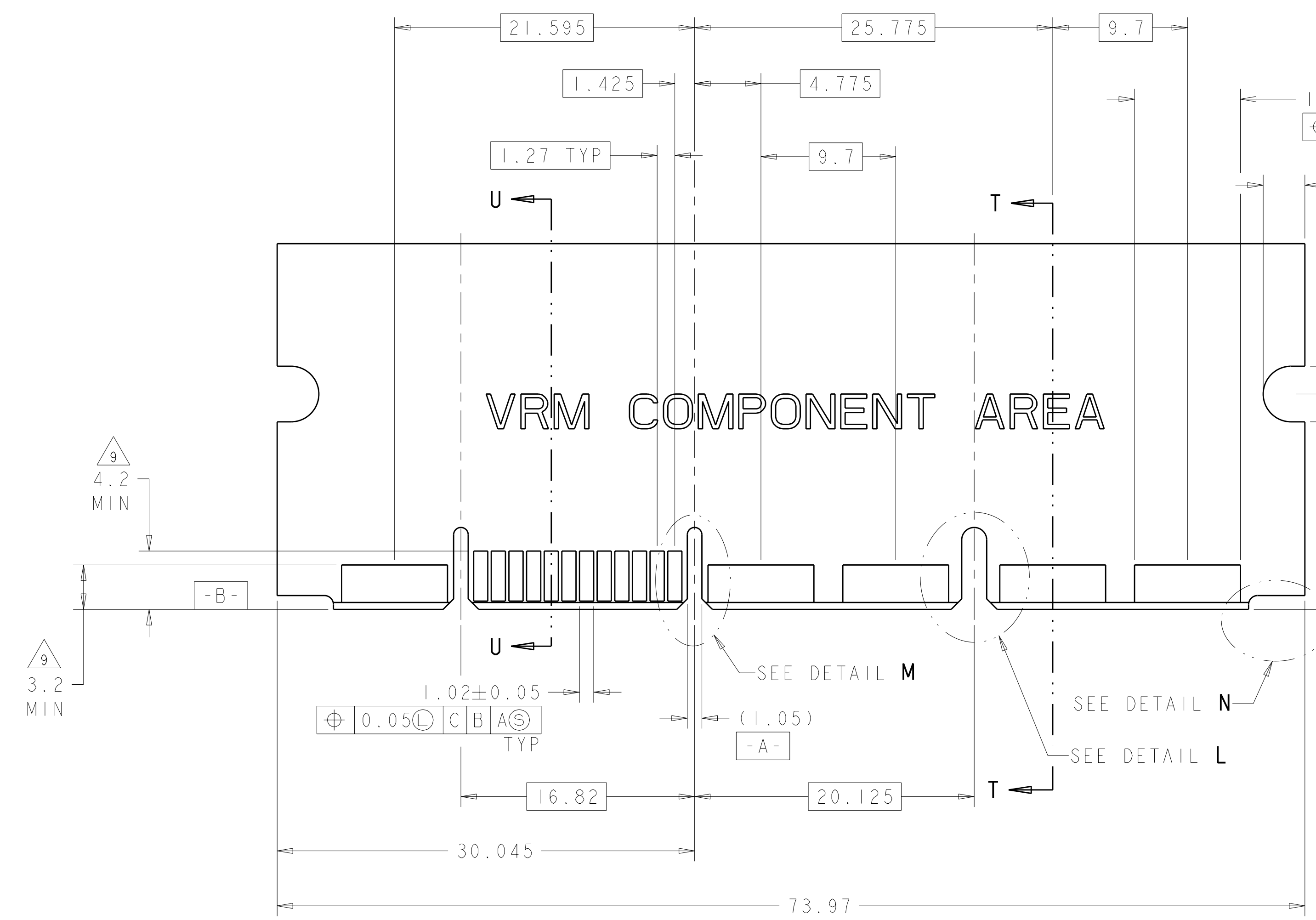


DETAIL Z
SCALE 12:1

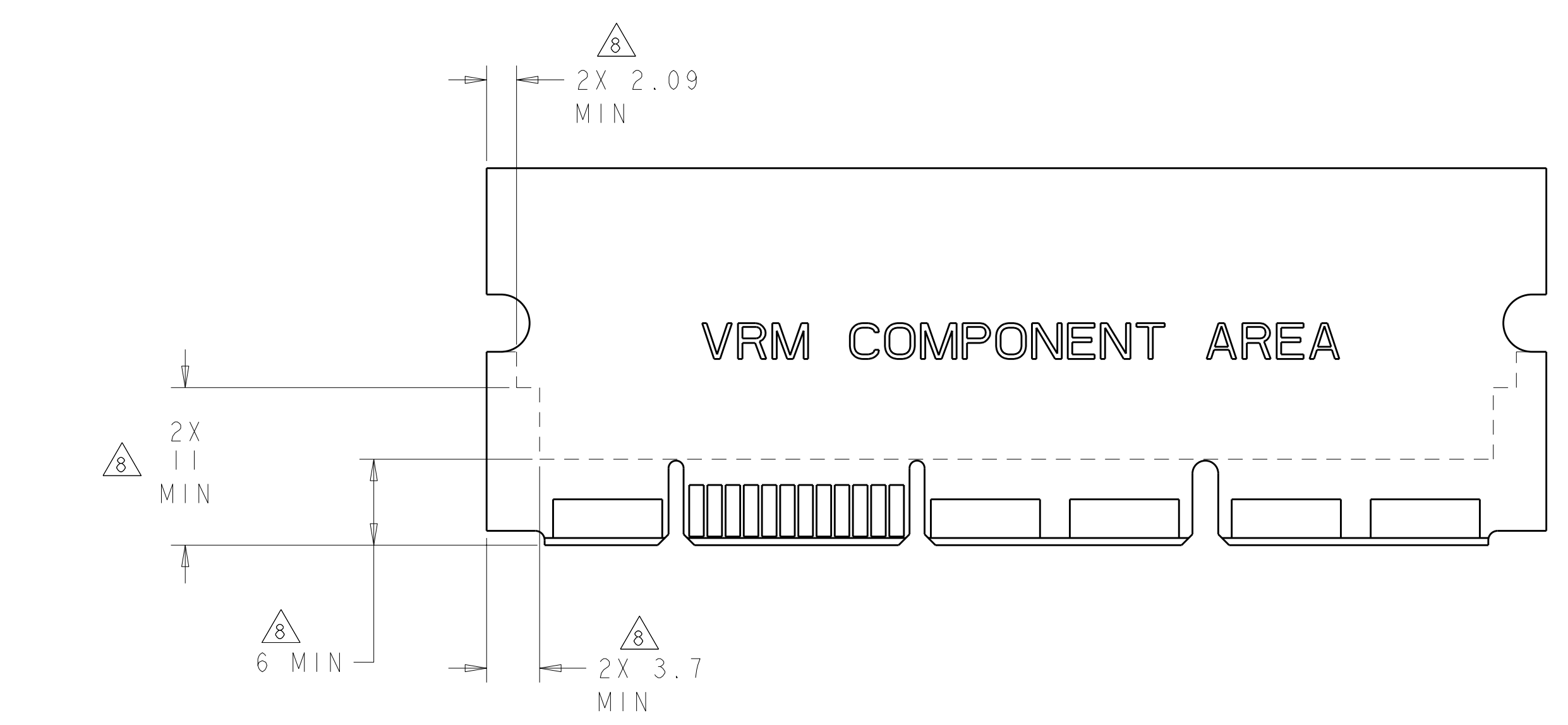


DIMENSIONS: mm 		TOLERANCES UNLESS OTHERWISE SPECIFIED: 0 PLC ±.5 1 PLC ±.5 2 PLC ±.25 3 PLC ±.25 4 PLC ±.25 ANGLES ±.2 FINISH #2		DWN R. GRZYBOWSKI 30 JAN 2009 CHK P. D'AMATO 30 JAN 2009 APVD M. PERCHERIE 30 JAN 2009 PRODUCT SPEC APPLICATION SPEC WEIGHT CUSTOMER DRAWING		Tyco Electronics Harrisburg, PA 17105-3608 NAME SOCKET CONNECTOR, SMT P2-S24-P8 MINI CROWN EDGE SIZE CAGE CODE DRAWING NO A100779C-2085133 SCALE 5:1 SHEET 2 OF 4 REV A	
-----------------------	--	---	--	--	--	--	--

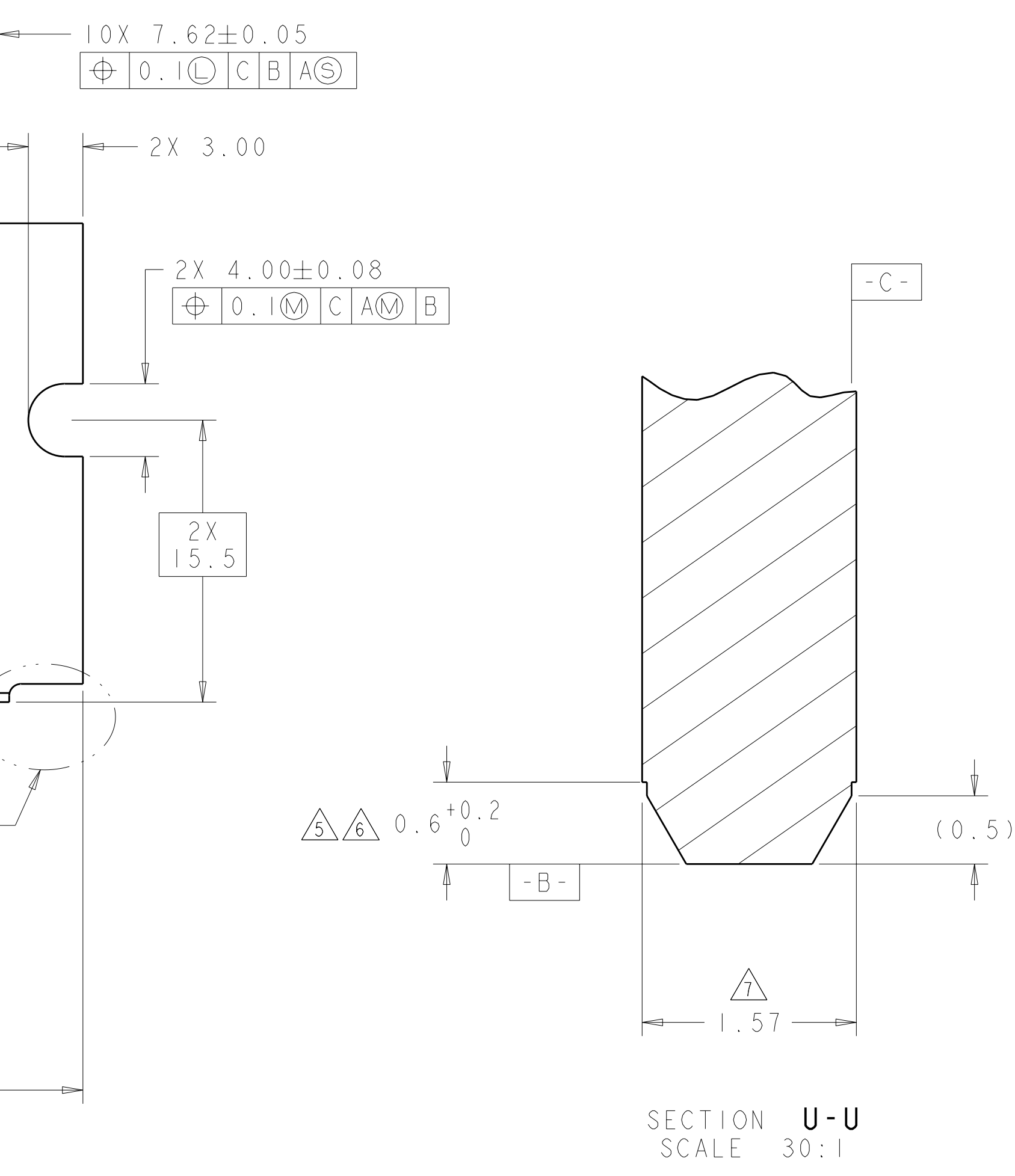
LOC	DIST	REV	DATE	BY	APP'D
GP	00				



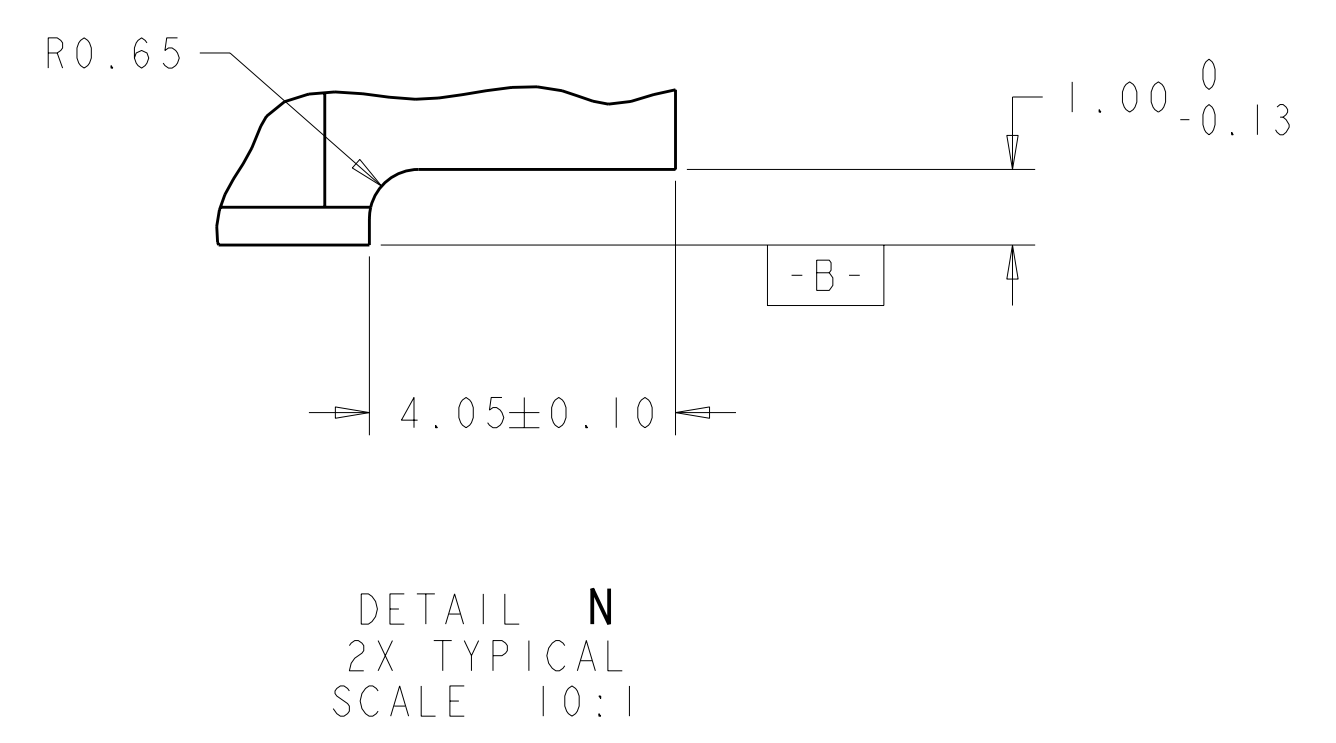
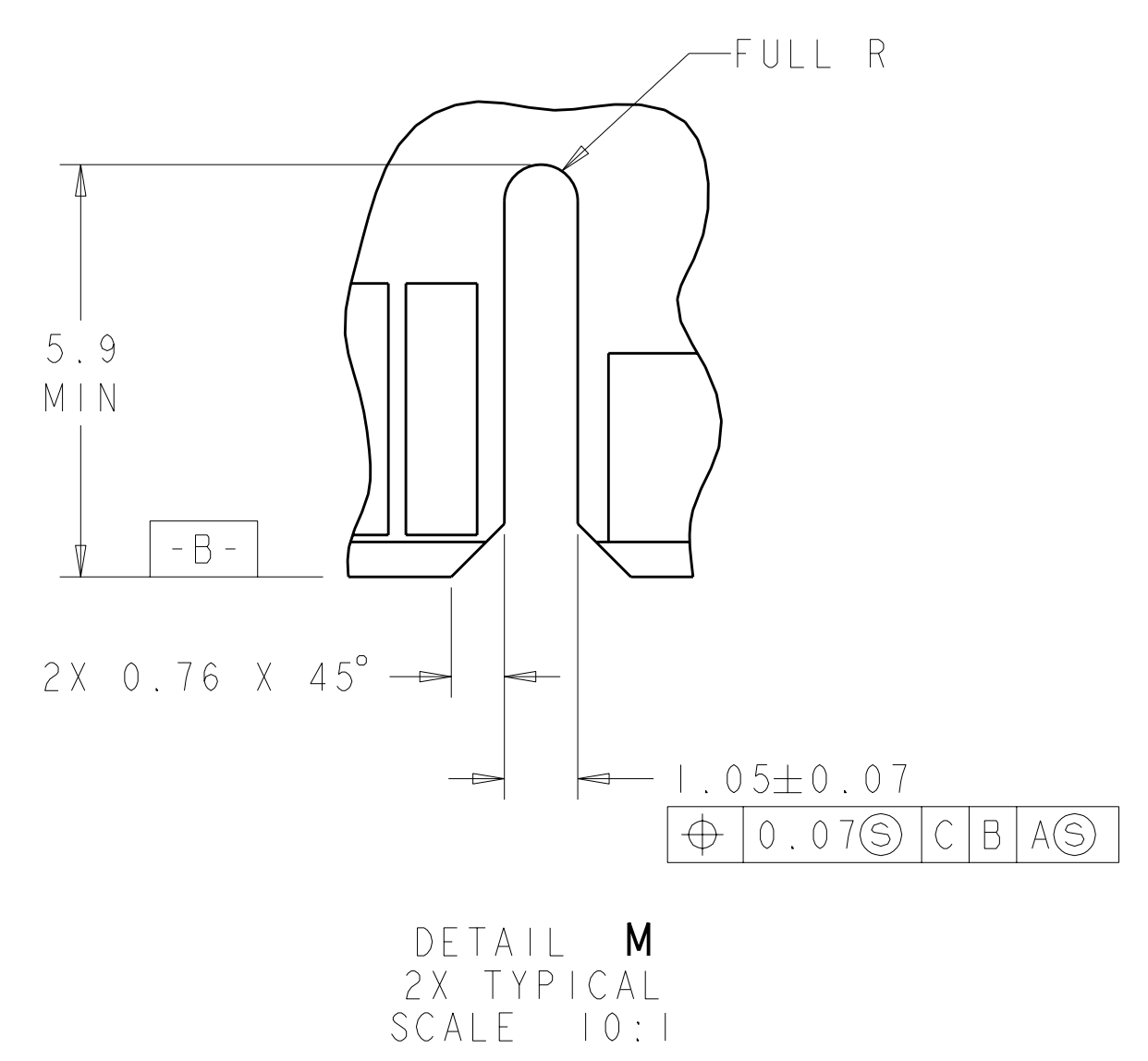
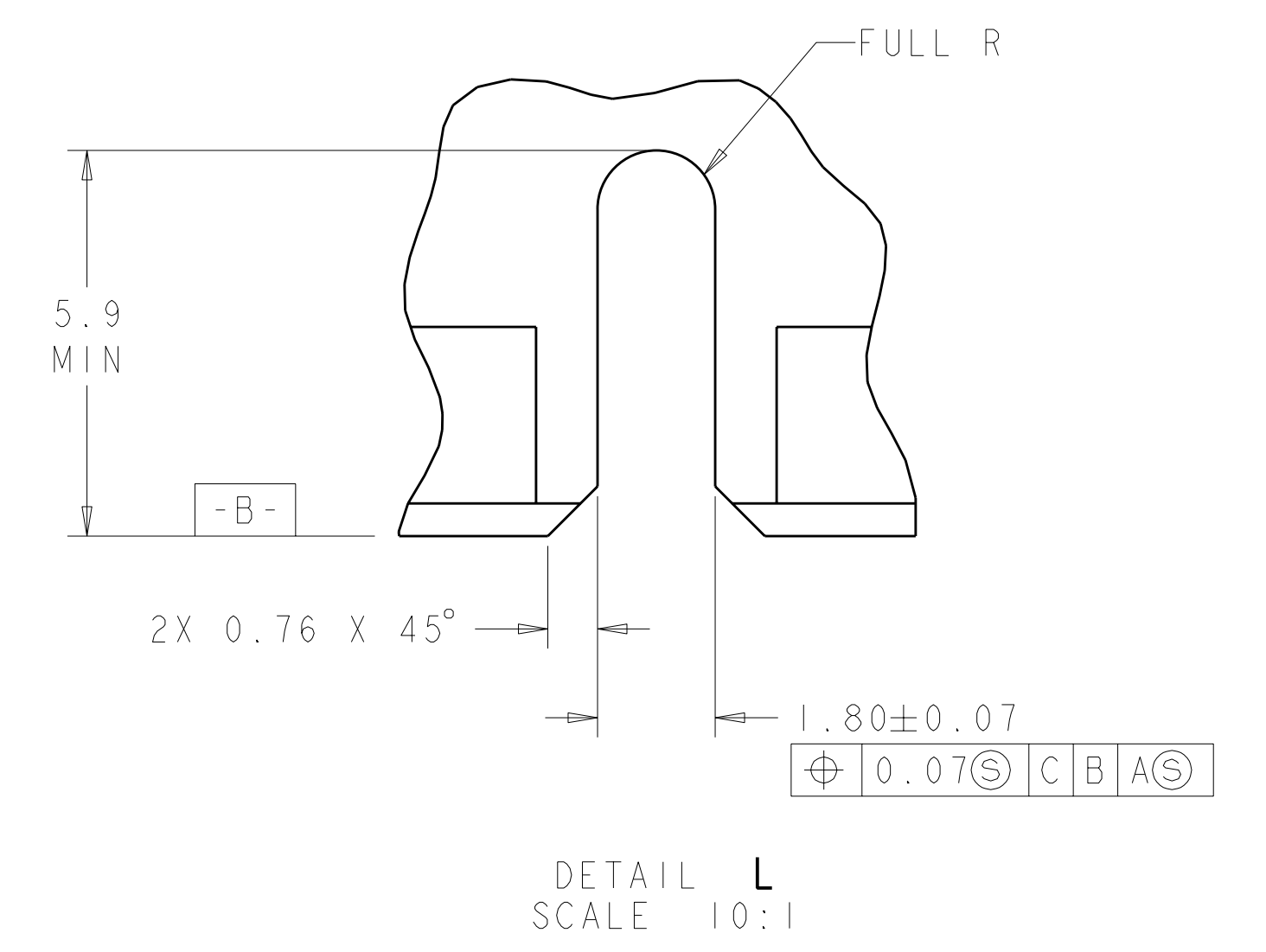
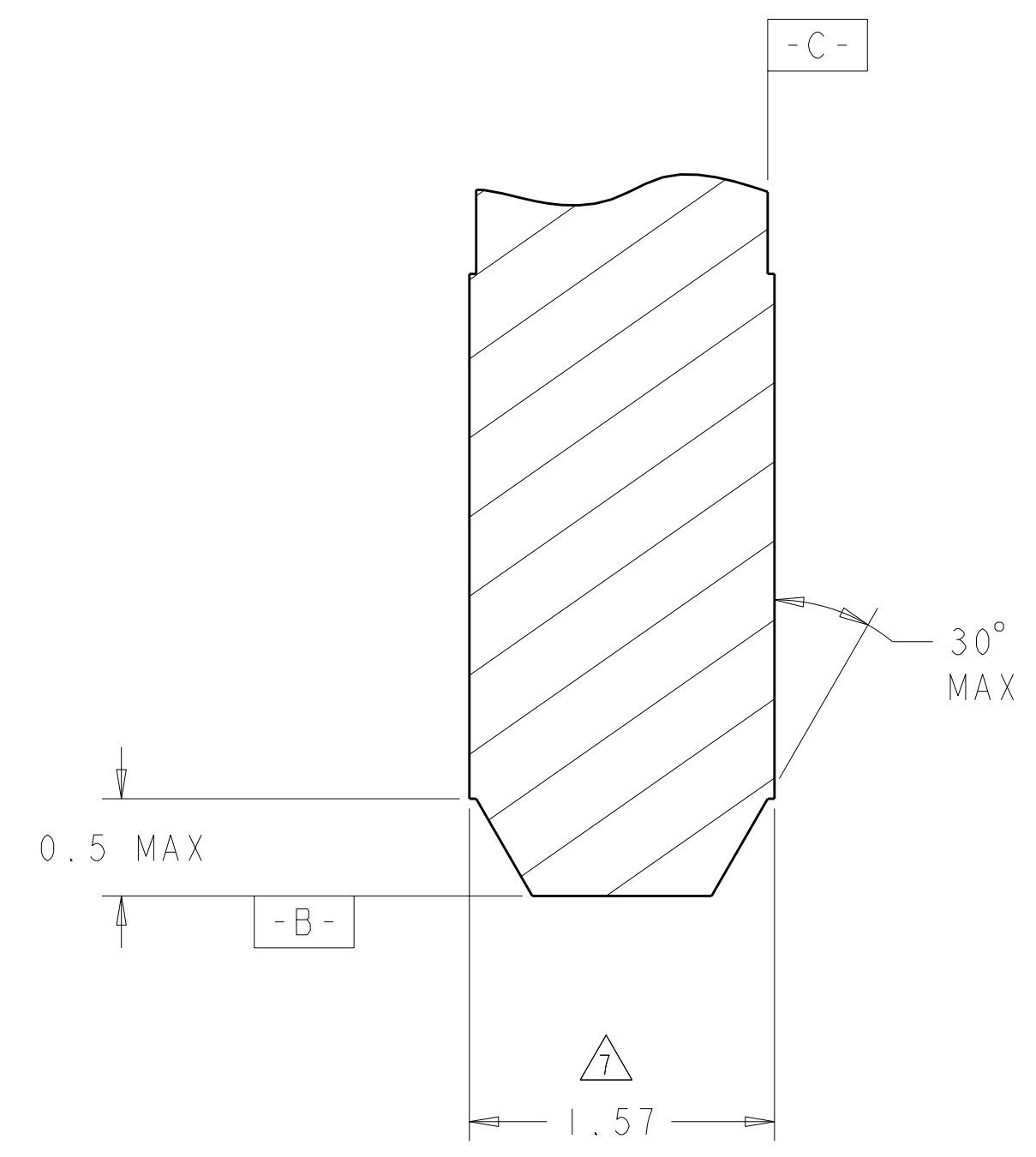
RECOMMENDED MATING BOARD SCALE 4:1



RECOMMENDED PC BOARD KEEP OUT AREA SCALE 3:1



SECTION T-T SCALE 30:1

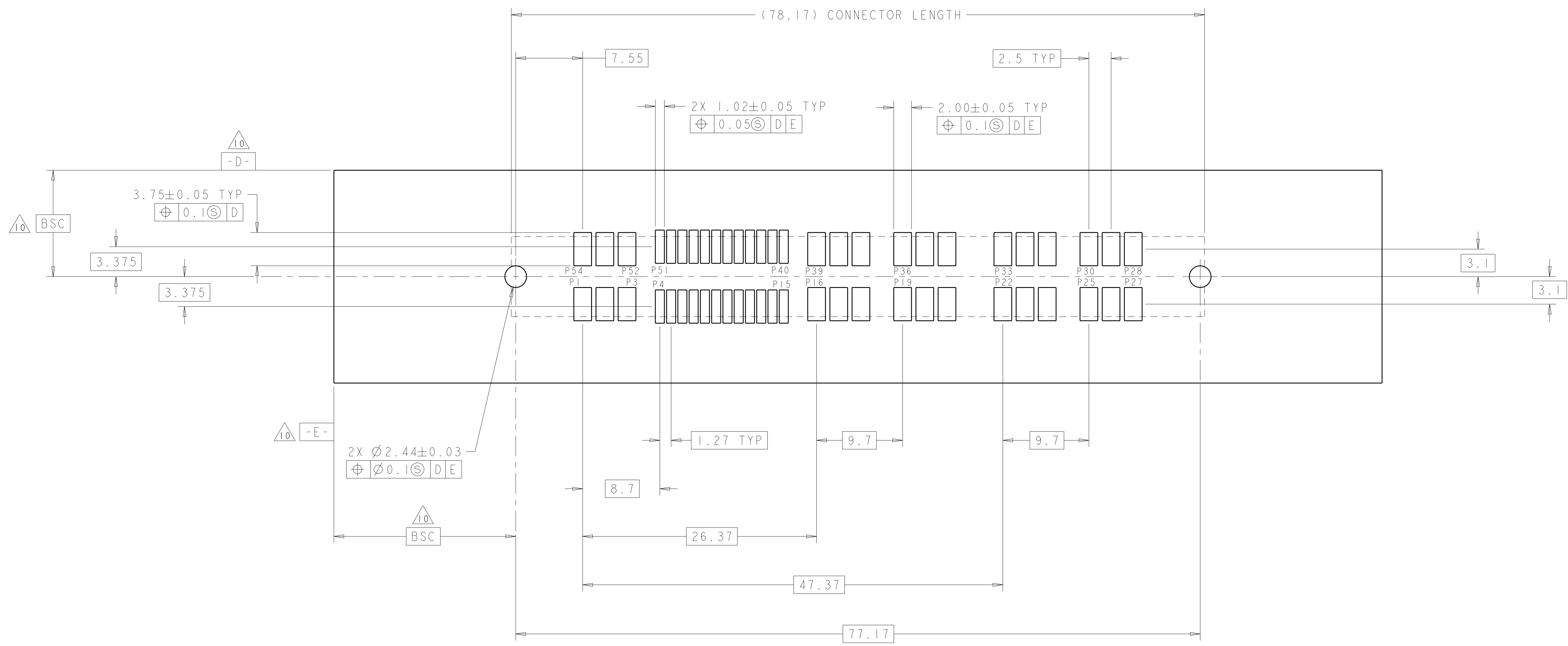


DIMENSIONS:		TOLERANCES UNLESS OTHERWISE SPECIFIED:		DWN		REV	
mm	9 PLC	±	0.25	R. GRZYBOWSKI	30JAN2009		
	1 PLC	±	0.5	P. D'AMATO	30JAN2009		
	2 PLC	±	0.25	M. PERCHERIE	30JAN2009		
	3 PLC	±	0.25				
	4 PLC	±	0.25				
	ANGLES	±	0.25				
	FINISH	#2					

MATERIAL		FINISH		WEIGHT		CUSTOMER DRAWING	

Tyco Electronics		Tyco Electronics	
Harrisburg, PA 17105-3608		Harrisburg, PA 17105-3608	
NAME		NAME	
SOCKET CONNECTOR, SMT		SOCKET CONNECTOR, SMT	
P2-S24-P8 MINI CROWN EDGE		P2-S24-P8 MINI CROWN EDGE	
SIZE		SIZE	
A100779C=2085133		A100779C=2085133	
SCALE		SCALE	
5:1		5:1	
SHEET		SHEET	
3 OF 4		3 OF 4	
REV		REV	
A		A	

LOC	DIST	REVISIONS			
GP	00	REV	DATE	DWN	APVD
-	-	SEE SHEET 1	-	-	-



RECOMMENDED SOLDER LAND GUIDELINE
 AS VIEWED FROM CONNECTOR SIDE
 SCALE 4:1

<small>THIS DRAWING IS UNPUBLISHED. RELEASED FOR PUBLICATION BY TYCO ELECTRONICS CORPORATION. ALL RIGHTS RESERVED.</small> <small>THIS IS SUBJECT TO CHANGE WITHOUT NOTICE AND WITHOUT OBLIGATION. SHOULD BE CONTACTED FOR THE LATEST REVISION.</small>		DWN: R. GRZYBOWSKI CHK: P. D'AMATO APVD: M. PERCHERIE	30 JAN 2009 30 JAN 2009 30 JAN 2009	Tyco Electronics Harrisburg, PA 17105-3608
DIMENSIONS: mm 	TOLERANCES UNLESS OTHERWISE SPECIFIED: 9 PLG ±.5 7 PLG ±.25 5 PLG ±.2 4 PLG ±.1 ANGLES ±.2	NAME: SOCKET CONNECTOR, SMT P2-S24-P8 MINI CROWN EDGE	SIZE: A CAGE CODE: 100779 DRAWING NO: C-2085133	RESTRICTED TO: - SCALE: 5:1 SHEET: 4 OF 4 REV: A
MATERIAL:	FINISH:	WEIGHT:	CUSTOMER DRAWING	