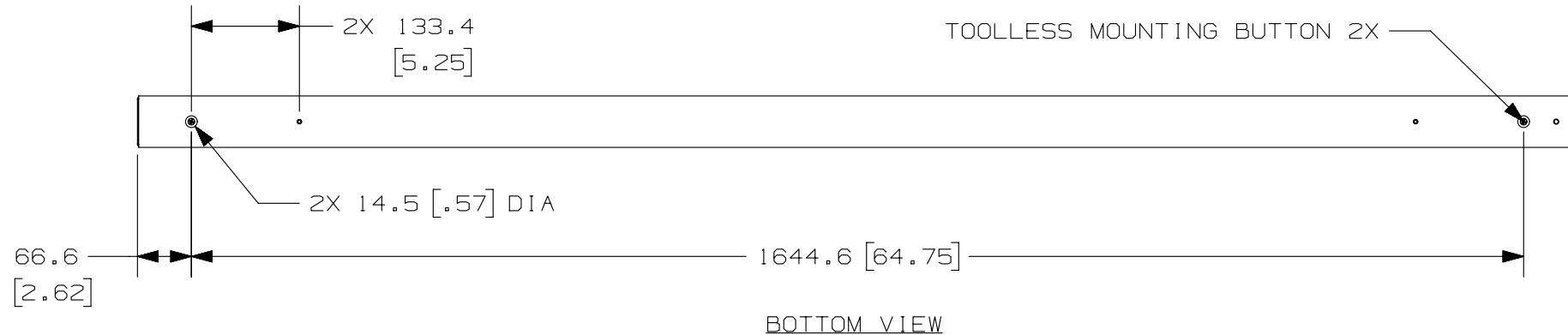


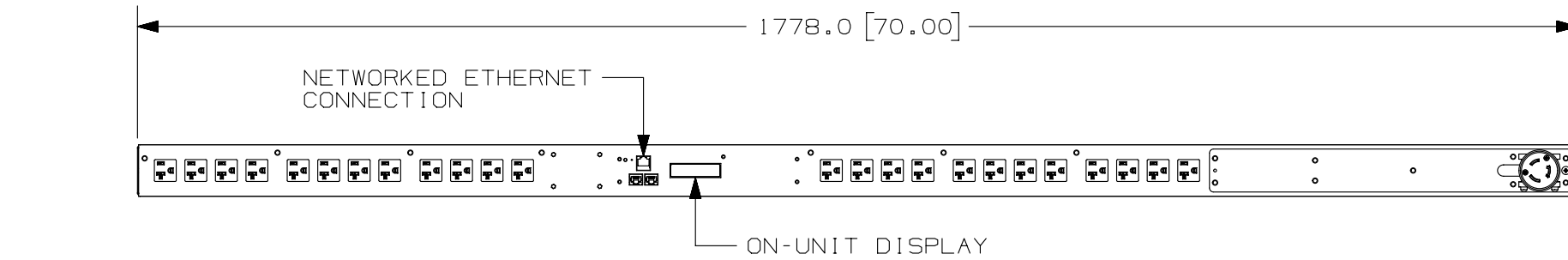
PANDUIT P/N	WEIGHT
Q1N1B1D0A24AKA0	6.80kg (15.01lb)

NOTES:

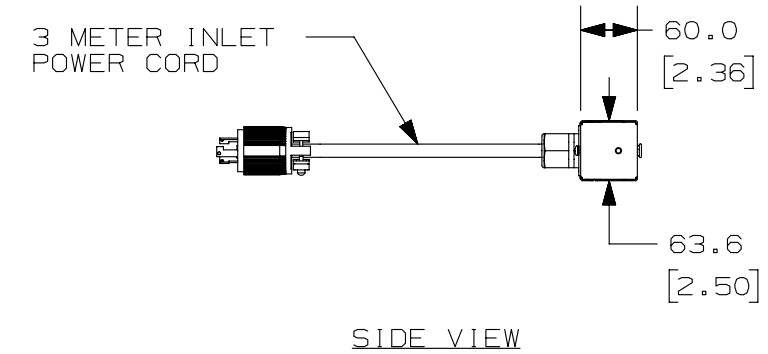
- IDENTIFICATION: VERTICAL, (24) NEMA 5-20R, NETWORKED 120V / 20A / SINGLE PHASE PDU
- ACCESSORY COMPONENTS: (1) QUICK-START GUIDE
- PRIMARY DIMENSIONS ARE IN MILLIMETERS, SECONDARY DIMENSIONS IN [INCHES].
- CIRCUIT LEVEL POWER (AMPS, VOLTS, kWh, kVA, POWER FACTOR, FREQUENCY) MONITORING AND ENVIRONMENTAL SENSOR DATA CAN BE ACCESSED REMOTELY VIA ETHERNET CONNECTION OR ON-UNIT DISPLAY.
- RoHS COMPLIANT.
- VISIT OUR ON-LINE CATALOG AT WWW.PANDUIT.COM FOR A CURRENT LIST OF PRODUCTS APPLICABLE FOR USE WITH THIS PART.
- MAXIMUM AVAILABLE INPUT POWER = 1.9 kW
- INSTALLATION SHALL COMPLY WITH ALL APPLICABLE NATIONAL, STATE, AND LOCAL CODES.



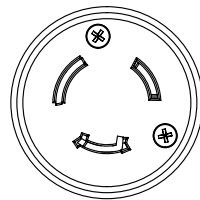
BOTTOM VIEW



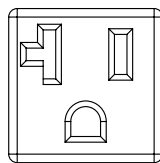
FRONT VIEW



SIDE VIEW



PLUG
20 AMP, 125V
TWIST-LOCK
NEMA L5-20P



TWENTY-FOUR (24)
RECEPTACLES
20 AMP, 125V
STRAIGHT BLADE
NEMA 5-20R

REV	DATE	BY	CHK	APR	DESCRIPTION	ECN
00A	03/26/14	PJST	MRWA	EDM	RELEASED TO PRODUCTION	12V092DU-DC

WE ASK THAT YOU CHECK FULLY THE DIMENSIONS, NOTES, AND SIGN THE CLIENT SIGNATURE BOX.		SIGN
THE JOB WILL NOT PROGRESS WITHOUT SIGNED APPROVAL. PLEASE DO NOT DELAY IN RETURNING PROOF AS IT WILL AFFECT DELIVERY.		DATE
		PRINT
TITLE		
Q1N1B1D0A24AKA0		
CUSTOMER DRAWING		
ITEM REVISION NAME		PANDUIT
12V092DU/00.PRT		
DATASET FILE NAME		MATERIAL/COLOR:
12V092DU_DC/00A.PRT		N/A
UNLESS OTHERWISE SPECIFIED, DIMENSIONAL TOLERANCES ARE:		
INCHES	METRIC - MILLIMETER	ANGLE
X.X +/- 0.03	X.X +/- 0.8	+/- 1°
X.XX +/- 0.018	X.X +/- 0.46	
X.XXX +/- 0.007	X.XX +/- 0.18	
		DRAWING NUMBER:
THIRD ANGLE PROJECTION		12V092DU-DC
DRAWN BY	DATE	CHK
PJST	03/26/14	MRWA
SCALE	SIZE	
1:8	SHT 1 OF 1 B	