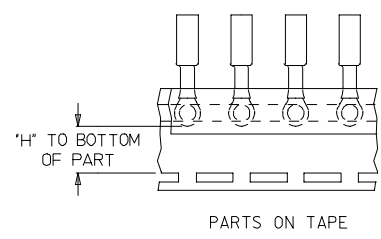
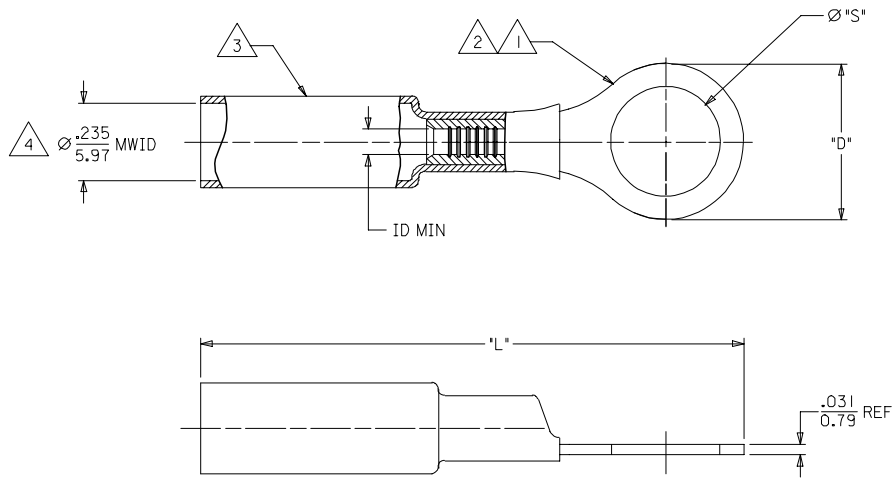


| | 13 | 12 | 11 | 10 | 9 | 8 | 7 | 6 | 5 | 4 | 3 | 2 | 1 |
|---|-----------------|--------------------|-------------------------|----------------------------|-----------|----------------|------------|----------------|-----------|-----------|---|---|---|
| | MATERIAL NUMBER | ENGINEERING NUMBER | MATERIAL NUMBER ON TAPE | ENGINEERING NUMBER ON TAPE | STUD SIZE | "S" ±.005/0.03 | "D" MAX | "H" ±.010/0.25 | "L" MAX | ID MIN | | | |
| J | 191640031 | SB-237-04 | 191640941 | SB-237-04T | #4 | .119/3.02 | .320/8.17 | .527/13.39 | 1.45/36.8 | .082/2.08 | | | |
| | 191640032 | SB-237-06 | 191640310 | SB-237-06T | #6 | .146/3.71 | .320/8.17 | .527/13.39 | 1.45/36.8 | .082/2.08 | | | |
| | 191640033 | SB-237-08 | 191640311 | SB-237-08T | #8 | .173/4.39 | .320/8.17 | .527/13.39 | 1.45/36.8 | .082/2.08 | | | |
| | 191640034 | SB-237-10 | 191640312 | SB-237-10T | #10 | .198/5.03 | .320/8.17 | .527/13.39 | 1.45/36.8 | .082/2.08 | | | |
| I | 191640025 | SB-225-10 | 191640940 | SB-225-10T | #10 | .198/5.03 | .475/12.07 | .338/8.59 | 1.63/41.4 | .153/3.89 | | | |
| | 191640026 | SB-225-14 | 191640308 | SB-225-14T | 1/4 | .265/6.73 | .475/12.07 | .338/8.59 | 1.63/41.4 | .153/3.89 | | | |
| | 191640027 | SB-225-56 | 191640309 | SB-225-56T | 5/16 | .328/8.33 | .475/12.07 | .338/8.59 | 1.63/41.4 | .153/3.89 | | | |
| | 191640020 | SB-218-38 | 191640307 | SB-218-38T | 3/8 | .390/9.91 | .475/12.07 | .340/8.64 | 1.63/41.4 | .153/3.89 | | | |



NOTE:

- 1. TERMINAL MATERIAL: COPPER ALLOY
- 2. FINISH: ELECTRO TIN PLATE.
- 3. INSULATION MATERIAL: HEAT SHRINKABLE TUBING WITH HOTMELT ADHESIVE INNER LINER. COLOR: BLUE
- 4. MWID = MAXIMUM WIRE INSULATION DIAMETER.

SALES DRAWING

| | | | | | | | |
|--------------------------------------------------------------------------------------------------------------------------------------------|---------------------------------------------|---------------------------------------------------------------------------------------------|------------------------------------------------------|--------------------|---------------------------------------------------------------|------------------------------|---------------------|
| REVISED TITLE BLOCK EC NO: ETC2006-0017 DRW: SHADECK 2005/07/25 CHKD: RDEROSS 2005/07/26 APPR: RDEROSS 2005/07/27 REVISIONS | QUALITY SYMBOLS $\nabla=0$ $\nabla=0$ | GENERAL TOLERANCES (UNLESS SPECIFIED) | DIMENSION STYLE IN/MM | SCALE --- | DESIGN UNITS INCH | THIRD ANGLE PROJECTION | |
| | | mm INCH | DRAWN BY BENDERLE | DATE 2002/08/26 | TITLE RING TONGUE TERMINAL PERMA-SEAL NIAC 16-14 AWG | | |
| | | 4 PLACES ± --- ± --- 3 PLACES ± --- ± --- 2 PLACES ± --- ± --- 1 PLACE ± --- ± --- | APPROVED BY RDEROSS | DATE 2002/08/26 | MATERIAL NO. SEE CHART | DOCUMENT NO. SD-19164-026 | SHEET NO. 1 OF 1 |
| | | ANGULAR ± --- ° | DRAFT WHERE APPLICABLE MUST REMAIN WITHIN DIMENSIONS | | | | |