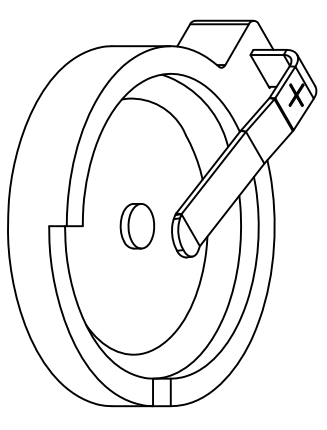
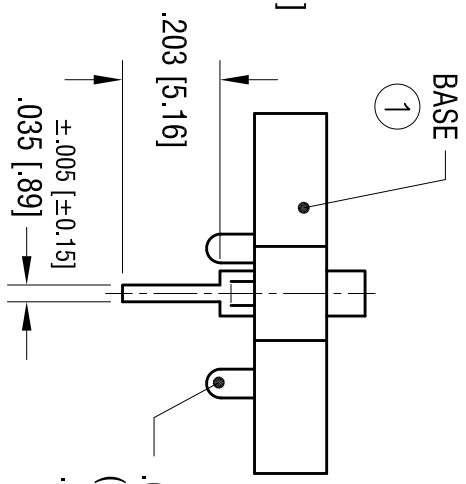
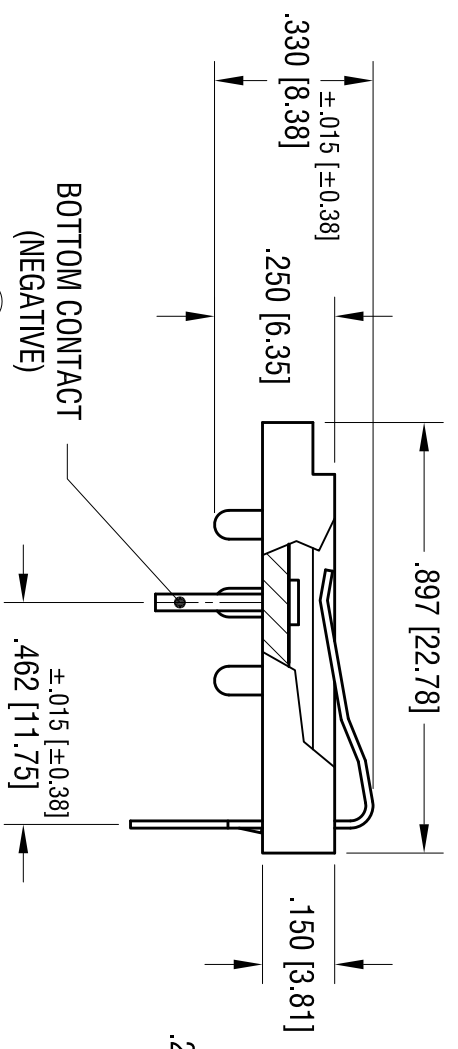
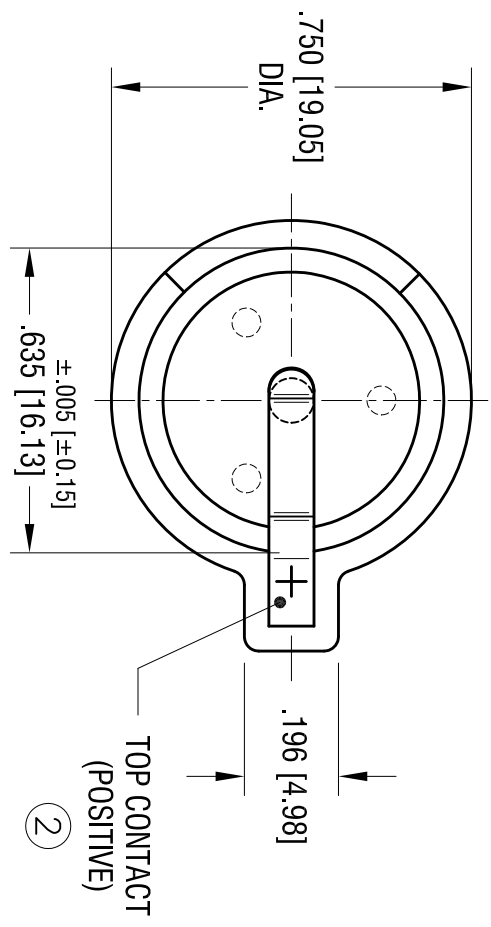


DATE	DESCRIPTION	REV.
11.2.11	CHANGE AS PER ECN 11-144	A



THIS DOCUMENT IS THE PROPERTY OF KEYSTONE ELECTRONICS CORP. AND SHALL NOT BE REPRODUCED, DISTRIBUTED OR USED AS A BASIS FOR MANUFACTURE WITHOUT PRIOR WRITTEN PERMISSION FROM KEYSTONE ELECTRONICS CORP.

KEYSTONE ELECTRONICS CORP.

www.keystec.com • ASTORIA, N.Y. 11105-2017 • Tel (718) 956-8900

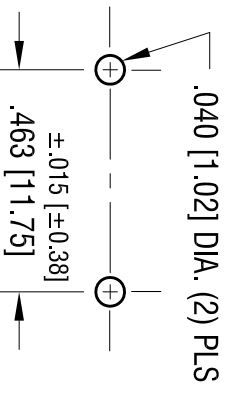
PART NAME
1632 COIN CELL BATTERY HOLDER

MATERIAL
AS NOTED

FINISH	INCH	[MM]	CODE	DRN BY	DATE
AS NOTED	± .010	[± 0.25]	C	BOONE	10.10.06
TOLERANCES	DECIMAL	± 1 st		App'd	SCALE
				LN	2.5X
UNLESS OTHERWISE SPECIFIED					

ITEM	DESCRIPTION/MATERIAL	FINISH
①	BASE, BLACK PBT (UL 94V-0)	TIN NICKEL PLATE
②	TOP CONTACT .015 [0.38] THK SPRING STEEL	
③	BOTTOM CONTACT .035 [0.89] DIA, STEEL	

MOUNTING DETAIL



502-3