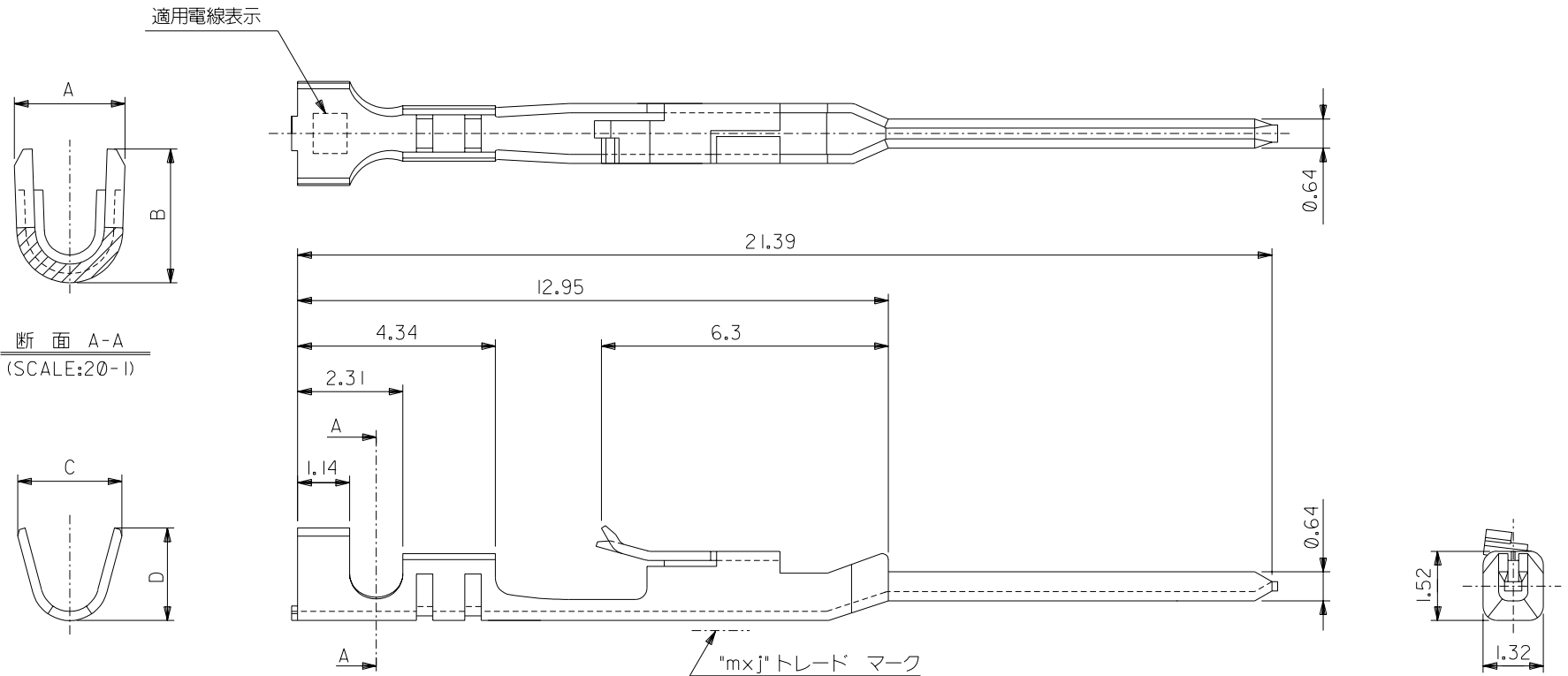


ENG. NO.
SD-70021-0*06
0*23

EDP NO.
—#—

ALL DIMENSIONS IN METRIC DO NOT SCALE DRAWING



注記:

- 適合ハウジング: 70066-****, 70107-****
- メッキ仕様:
 - 接点部 : 金メッキ, 0.38 μmMIN.
 - 圧着部 : 錫メッキ, 1.91 μmMIN.
 - 下地メッキ: ニッケルメッキ, 1.27 μmMIN.

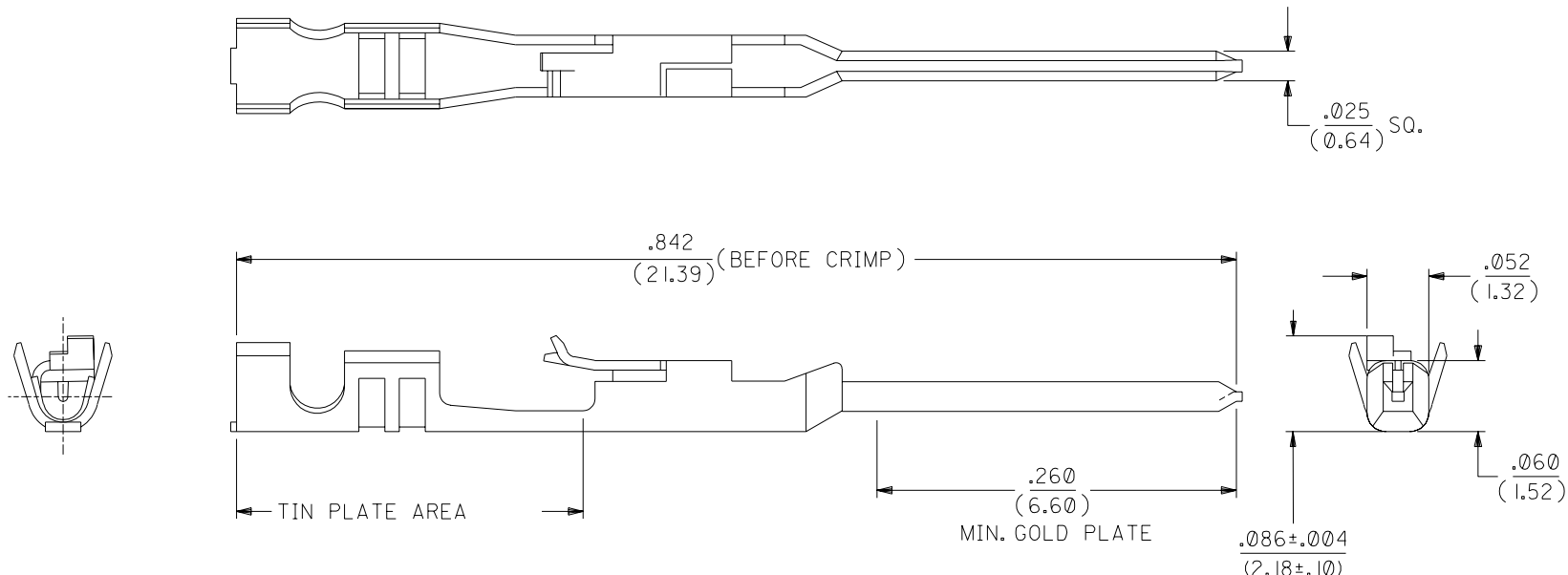
1.91	2.1	1.47	1.22	A	φ 1.6 MAX.	AWG#24-#30	連鎖状	70021-0006
1.91	2.1	1.65	1.84	C		AWG#22-#24	バラ状	70021-0223
D	C	B	A	適用電線表示	被覆外径	適用電線範囲	端子形状	MATERIAL No.

材料 MATERIAL	磷青銅 t 0.203	molex MOLEX-JAPAN CO.,LTD. 日本モレックス株式会社
仕上げ FINISH	注記参照	
適用電線範囲 WIRE RANGE	表参照	EDP. NO. —#—
被覆外径 INS. RANGE	表参照	ENG. NO. SD-70021-0*06 0*23

角度 ANGLE	±3°	B 変更 (J2004-4519)	1/11/94	M.S.	04/05/31
30 以上 OVER	+0.3	A 変更 (JD60398)	1/11/95	M.S.	95/12/07
10 以上 OVER	+0.25	0 新規作成 (T00110)	1/11/90	M.S.	90/4/6
10 未満 UNDER	+0.2	記号 LTR	DR. CHK.	日付 DATE	
一般公差 GENERAL TOLERANCES	REVISE ONLY ON CAD SYSTEM				

DRAWN BY	CHK'D BY
A. Mitake	M. Kuro
APP'D BY	尺 度
S. Yamada	SCALE 10-1

TITLE 名称	SL MALE CRIMP TERMINAL -LEAD FREE-
REV	B



NOTES:

1. TERMINAL FOR USE WITH HOUSING PART NO. 70066-**** & 70107-****.
2. MATERIAL: .008/(0.20) THK. PHOSPHOR BRONZE.
3. TERMINAL TO BE USED WITH 22-24 AWG STRANDED WIRE WITH .064 DIA. MAX. INSULATION.
4. REFER TO MOLEX OPERATIONAL AND SERVICE MANUAL FOR DETAILS.
5. REFER TO PRODUCT SPECIFICATION NO. PS-70021.
6. PARTS SUPPLIED LOOSE PER DRAWING PK-70873-0822.

PLATING:

.000015 GOLD PLATE IN SELECT AREA.
 .000075 MIN. TIN PLATE IN SELECT AREA.
 OVER NICKEL PLATE.

*THE PRIMARY SHIPPING CARTON WILL BE LABELED "COMPLIANT TO RoHS DIRECTIVE 2002/95/EC AND ELV ANNEX II OF DIRECTIVE 2000/53/EC". CARTONS WITHOUT THIS LABEL MAY CONTAIN PRODUCT WITH LEAD.

E	LEAD FREE UCP2004-1769 RWHITE 04/03/15
D2	REVISED PER ECR #U80270 MCGRATH 97/07/31
D1	REVISED PER ECR #U70928 MCGRATH 97/06/26
D	REVISED PLTG. SPEC. PER ECR # U31149 08/19/93 REED
C	REVISED PER ECR# U82220 11-07-88 MJM/MGB
B	REDRAWN ON CAD PER E.C.M. #9509 11/10/86 WJF/MJM

MFG. SH.	REV.	LTR.	REVISIONS
----------	------	------	-----------

DIMENSIONS SHOWN (METRIC) INCH		▽ = 0 ▼ = 0		REVISE ONLY ON CAD SYSTEM	
UNLESS OTHERWISE SPECIFIED TOLERANCES: ANGULAR ± 1/2°					
		INCH		METRIC	
3 PLACE	± .010	---			
2 PLACE	± .015	± 0.25			
1 PLACE	---	± 0.35			
DRAFT WHERE APPLICABLE MUST REMAIN WITHIN DIMENSIONS					
TITLE		TERMINAL, MALE CRIMP			
MOLEX INCORPORATED		SHEET NO. 1		DATE 10/30/86	
LISLE, ILL. 60532 U.S.A.					
PART NO. 16-02-0115		DRWG. NO. SD-70021-0223			
DRWG. BY: WJF	CHK'D. BY: MJM	FILE NAME: S70021X24 DGN	THIS DRAWING CONTAINS INFORMATION THAT IS PROPRIETARY TO MOLEX INC. AND SHOULD NOT BE USED WITHOUT WRITTEN PERMISSION.		DIV. DA
APP'D. BY: WAZ	SCALE: 10:1			SIZE: B	