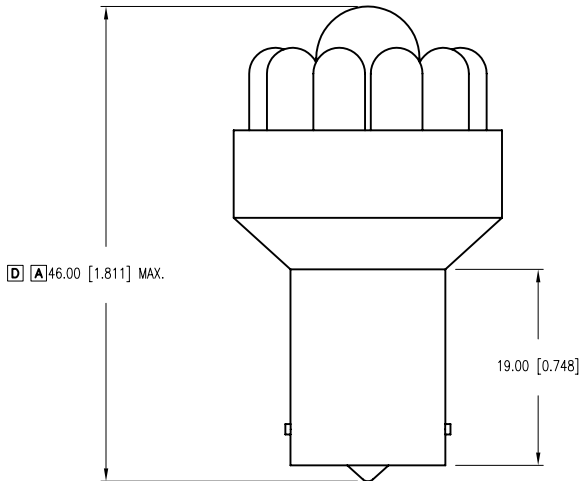
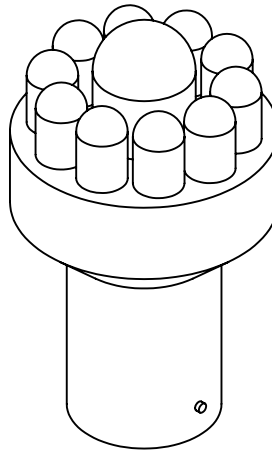
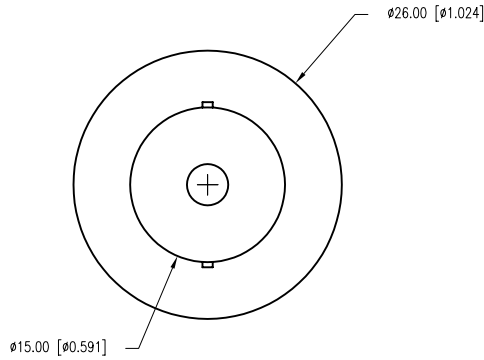


PART NUMBER	SSP-1156B152UP12	REV.	D
DATE	E.C.N. NUMBER AND REVISION COMMENTS		REV.
02.26.03	E.C.N. #10958.		A
8.19.03	E.C.N. #11025.		B
11.5.03	E.C.N. #11050.		C
12.12.11	E.C.N. #11741, #10BRDR.		D



ELECTRO-OPTICAL CHARACTERISTICS $T_a=25^{\circ}\text{C}$ $V_f=12\text{V}$					
PARAMETER	MIN	TYP	MAX	UNITS	TEST COND
PEAK WAVELENGTH		525		nm	
FORWARD VOLTAGE		12.0	14.0	Vf	
REVERSE VOLTAGE	5.0			Vr	$I_r=100\mu\text{A}$
AXIAL INTENSITY		70400		md	$V_f=12\text{V}$
VIEWING ANGLE		30		$2x$ theta	
EMITTED COLOR:	GREEN				
LENS FINISH:	WATER CLEAR				

LIMITS OF SAFE OPERATION AT $25^{\circ}\text{C}$ PER MODULE			
PARAMETER	MAX	UNITS	
PEAK FORWARD VOLTAGE	14	V	
STEADY CURRENT	110	mA	
POWER DISSIPATION	105	mW	
DERATE FROM $25^{\circ}\text{C}$	-1.2	$\text{mW}/^{\circ}\text{C}$	
OPERATING TEMP.	-40 TO +85	$^{\circ}\text{C}$	
STORAGE TEMP.	-40 TO +85	$^{\circ}\text{C}$	

CAUTION: STATIC SENSITIVE DEVICE  
FOLLOW PROPER E.S.D. HANDLING PROCEDURES  
WHEN WORKING WITH THIS PART.

\*UNLESS OTHERWISE SPECIFIED TOLERANCES PER DECIMAL PRECISION ARE: X=±1 (±0.039), X.X=±0.5 (±0.020), X.XX=±0.25 (±0.010), X.XXX=±0.127 (±0.005). LEAD SIZE=±0.05 (±0.002), LEAD LENGTH=±0.75 (±0.030). MIN=  $+\frac{\text{DECIMAL PRECISION}}{-0.00}$  MAX=  $+\frac{0.00}{-\text{DECIMAL PRECISION}}$

**LUMEX**  
Creating LED and LCD Solutions Together™

290 E. HELEN ROAD  
PALATINE, IL 60067-6976  
PHONE: +1.847.359.2790  
FAX: +1.847.359.6538  
WEB: WWW.LUMEX.COM

1156 LED REPLACEMENT LAMP, GREEN.

\*\*THE SPECIFICATIONS MAY CHANGE AT ANY TIME WITHOUT NOTICE DUE TO NEW MATERIALS OR PRODUCT IMPROVEMENT.\*\*

CONFIDENTIAL INFORMATION  
THE INFORMATION CONTAINED IN THIS DOCUMENT IS THE PROPERTY OF LUMEX INC. EXCEPT AS SPECIFICALLY AUTHORIZED IN WRITING BY LUMEX INC., THE HOLDER OF THIS DOCUMENT SHALL KEEP ALL INFORMATION CONTAINED HEREIN CONFIDENTIAL AND SHALL PROTECT SAME IN WHOLE OR IN PART FROM DISCLOSURE AND DISSEMINATION TO ALL THIRD PARTIES.

DATE:	12.12.11	DRAWN BY:	AB
PAGE:	1 OF 1	CHKD BY:	JD
SCALE:	NTS	APRVD BY:	SS
UNIT:	mm [INCH]		Ⓟ