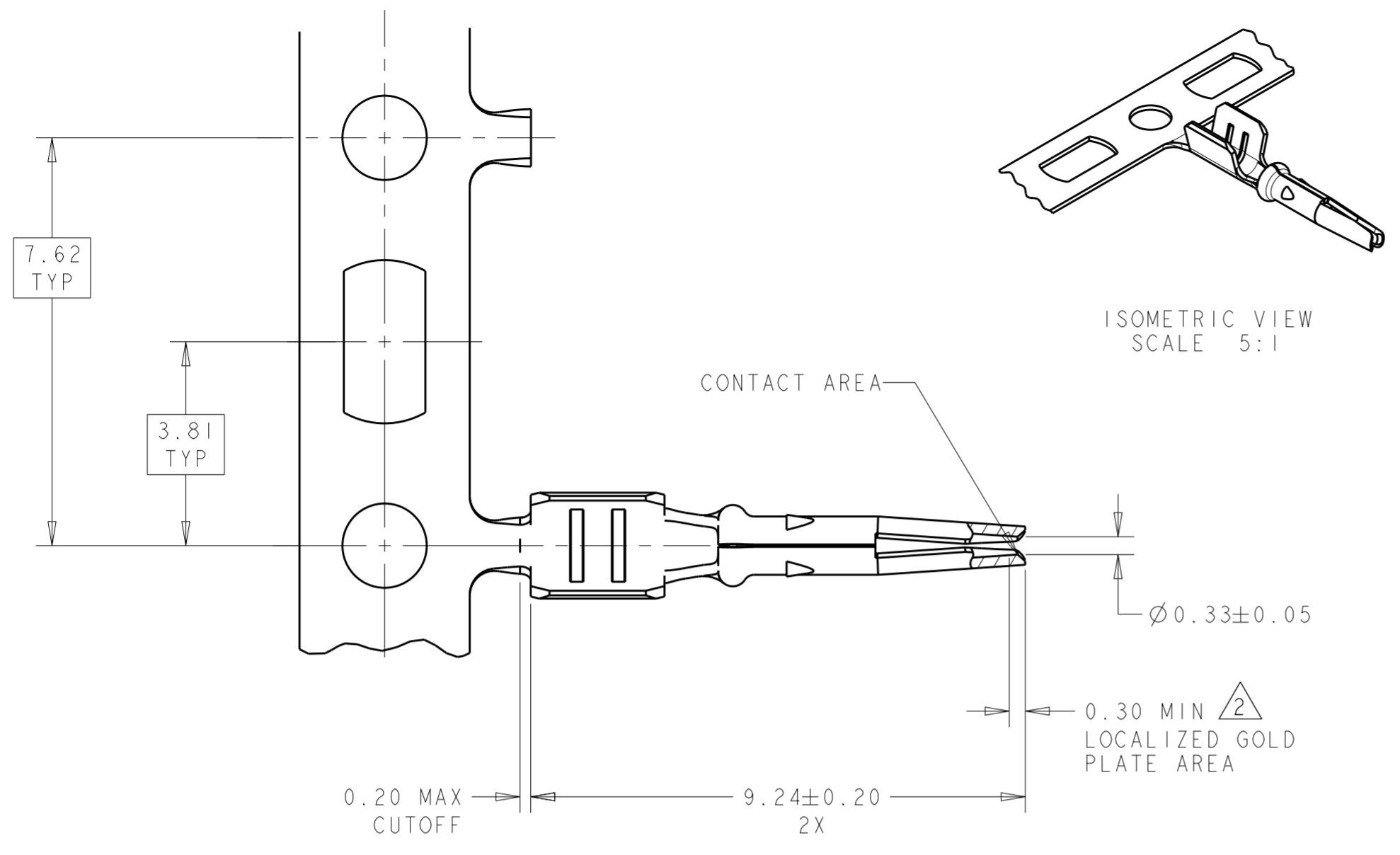
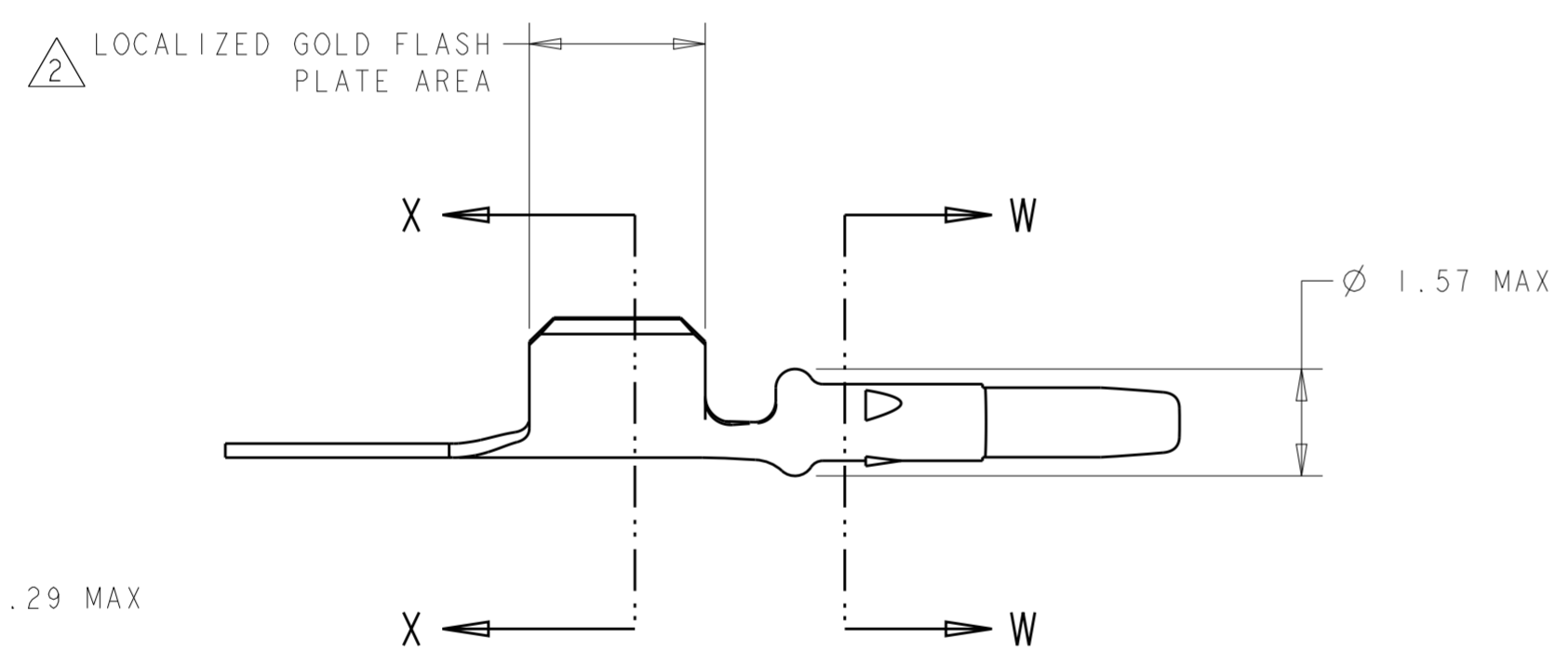
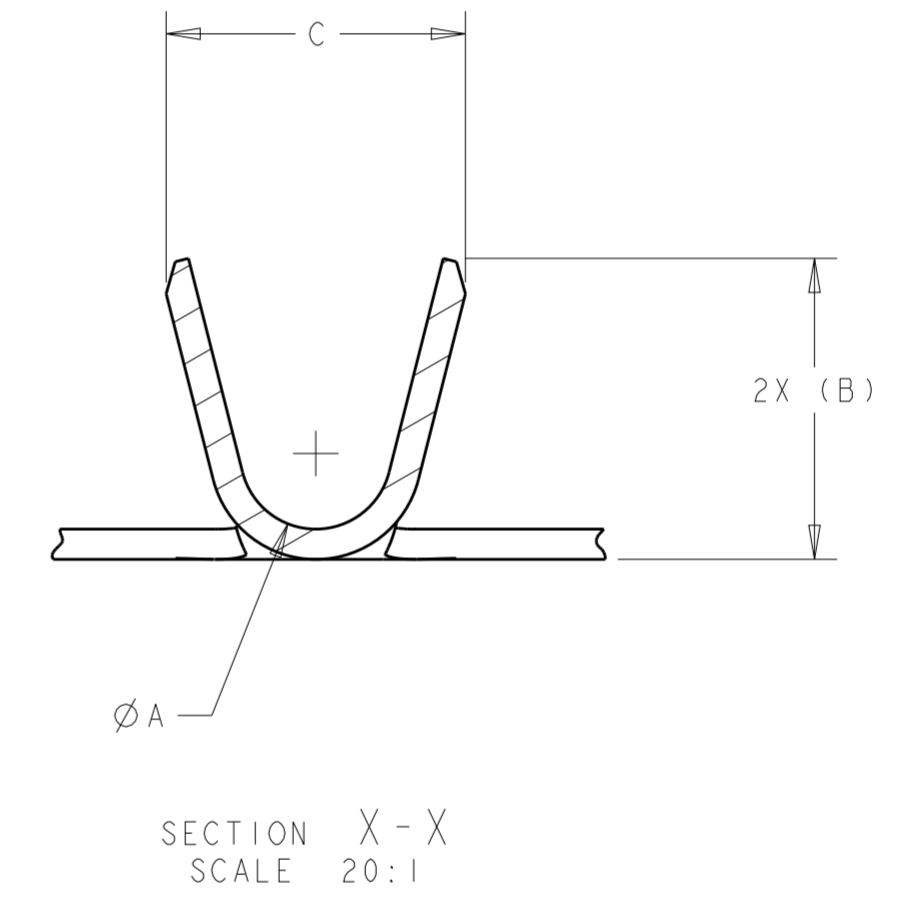


THIS DRAWING IS UNPUBLISHED. RELEASED FOR PUBLICATION 20
 © COPYRIGHT 20 BY - ALL RIGHTS RESERVED.

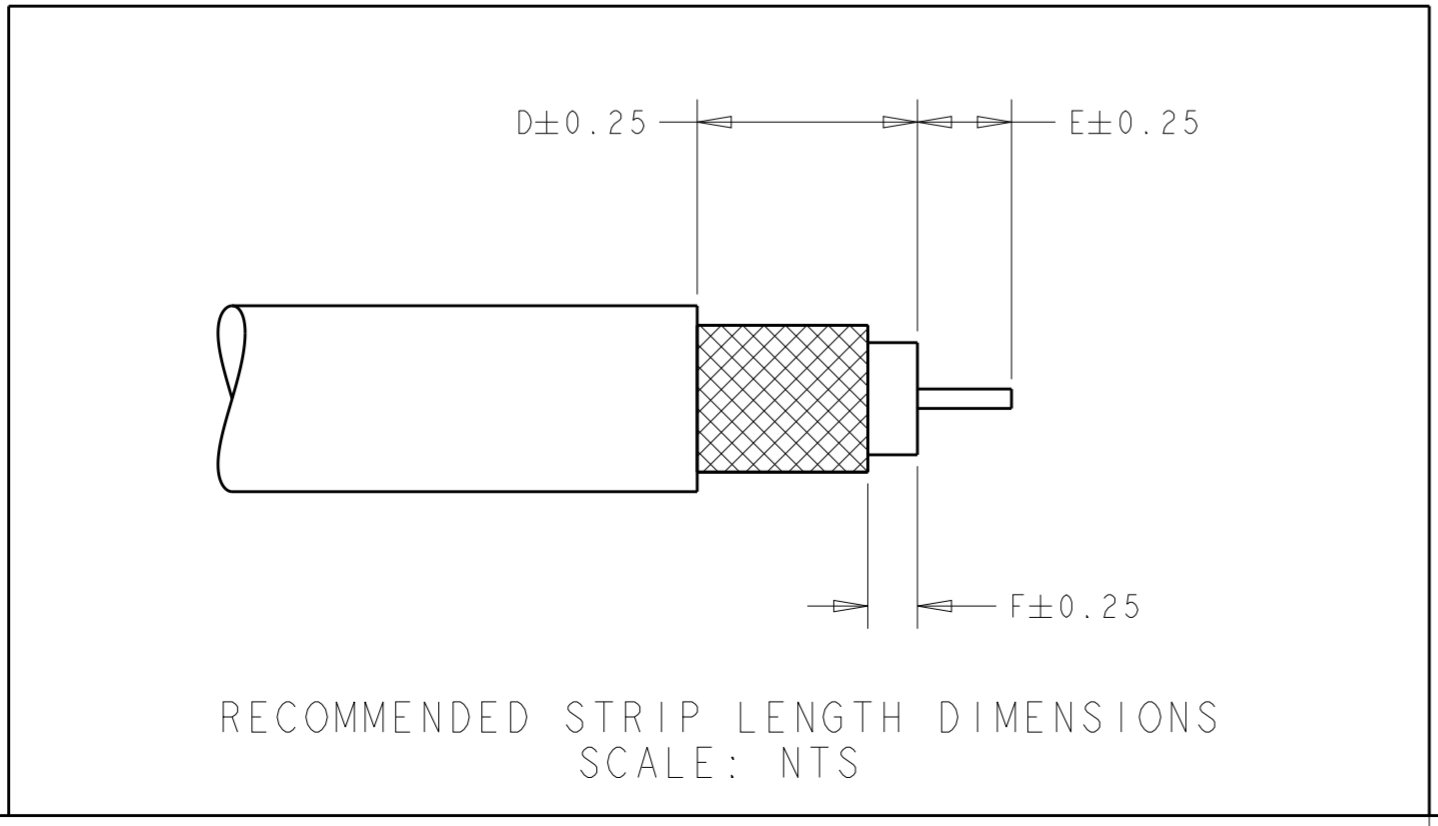
REVISIONS					
P	LTR	DESCRIPTION	DATE	DWN	APVD
D3		REVISED PER ECO-13-005286	28MAR2013	KP	LV
D4		REVISED PER ECO-15-017776	10MAR2016	DD	LV



- 1 PHOSPHOR BRONZE.
- 2 0.76µm MIN GOLD IN LOCALIZED GOLD PLATE AREA, GOLD FLASH IN LOCALIZED GOLD FLASH PLATE AREA, BOTH OVER 2.0µm MIN NICKEL. GOLD FLASH ALLOWABLE ON ENTIRE PART.
- 3 CRIMP SOCKET CONTACT USING APPLICATOR PART NUMBER 1385456-3.
- 4 CRIMP SOCKET CONTACT USING APPLICATOR PART NUMBER 1385675-3.
- 5 NOTE DELETED.
- 6 CRIMP SOCKET CONTACT USING APPLICATOR PART NUMBER 680900-1 OR 1385623-3-A.
- 7 CRIMP SOCKET CONTACT USING APPLICATOR PART NUMBER 680901-1 OR 1385624-3.
- 8 NOTE DELETED.
- 9. SOCKET CONTACT WILL ACCEPT COAXIAL CABLE: SEE TABLE.



SECTION W-W
SCALE 20:1



1.20	3.55	6.84	2.03	1.73	0.76	RG-62, RG-71	6	1438896-4
1.64	3.11	7.28	2.03	1.73	0.76	RG-59, 59 MINI	6	
1.64	3.11	7.28	2.03	1.73	0.76	RG-174 LL, 1.5D-2VS	4	
1.64	3.11	7.28	2.03	1.73	0.76	RG-174	4	
F	E	D	C	B	A	APPLICABLE CABLE SIZE		PART NUMBER

THIS DRAWING IS A CONTROLLED DOCUMENT.

DWN D. J. HARDY 04 JAN 2005	TE Connectivity						
CHK J. W. HALL 14 JAN 2005							
APVD J. W. HALL 14 JAN 2005							
DIMENSIONS: mm	TOLERANCES UNLESS OTHERWISE SPECIFIED:	NAME SOCKET CONTACT, PLUG, SMB					
0 PLC ±	1 PLC ±	2 PLC ±0.10	3 PLC ±	4 PLC ±	APPLICATION SPEC 114-13157		
MATERIAL - 1	FINISH - 2	PRODUCT SPEC -	APPLICATOR SPEC -	WEIGHT -	SIZE A200779		
CUSTOMER DRAWING					SCALE 10:1	SHEET 1 OF 1	REV D4