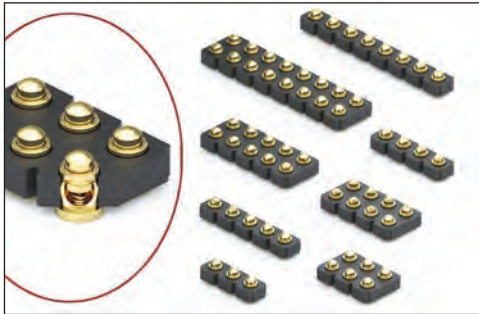


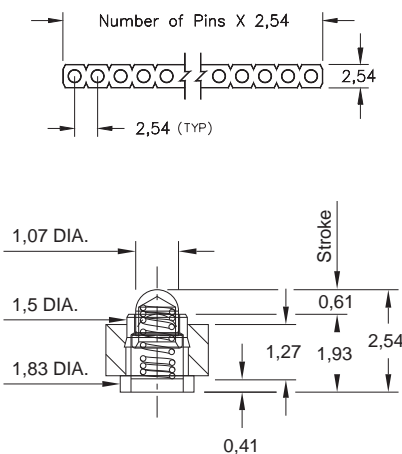
SPRING-LOADED CONNECTORS

SERIES 815 & 817 • 2,54 GRID SURFACE MOUNT, ULTRA LOW PROFILE • SINGLE AND DOUBLE ROW STRIPS

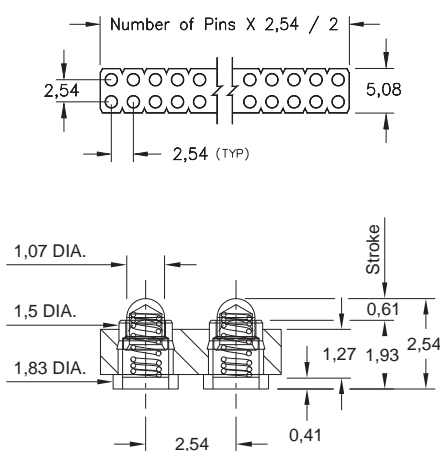


- Modular contacts for use on 2,54 grid, available in a height of 2,54, supplied in single and double row contact strips
- Precision-machined piston / base and gold-plated components assure a 1,000,000 cycle life durability
- Pistons have a 0,3 mid. stroke and a 0,61 max. stroke
- Low resistance, high current contacts are rated at 2 amps continuous, 3 amps peak
- High temperature thermoplastic insulators are suitable for surface mount processes
- 815 & 817 series contact strips are designed for manual placement onto a 2,08 Ø solder pad prior to reflow soldering

SINGLE ROW Series 815



DOUBLE ROW Series 817



ORDERING INFORMATION

Single Row Series 819

815-22-0XX-30-001101

Specify number of contacts 01-32

For 815 and 817 Tape & Reel packaging, see page 12.1

Double Row Series 820

817-22-0XX-30-001101

Specify number of contacts 04-72

For 815 and 817 Tape & Reel packaging, see page 12.1

Technical Specifications

Materials:

Contact piston & base: Machined copper alloy plated 0,51 µm gold over 2,54 µm nickel
 Spring: Beryllium copper-plated 0,25 µm gold
 Insulator: High temperature thermoplastic, rated UL94 V-0

Mechanical:

Spring force @ initial height: 25 grams
 Spring force @ mid stroke (0,3): 60 grams
 Durability: 1,000,000 cycles
 Coplanarity: 0,13 (Single Row up to 10 pins; Double Row up to 20 pins),
 For higher pin counts, contact Technical Support

Electrical:

Voltage rating: 100Vrms/150Vdc
 Current rating: 2A (continuous), 3A (peak) per contact
 Contact resistance: 20mΩ max.
 Insulation resistance: 10,000MΩ min.
 Dielectric strength: 700Vrms min.
 Capacitance: 1pF max.

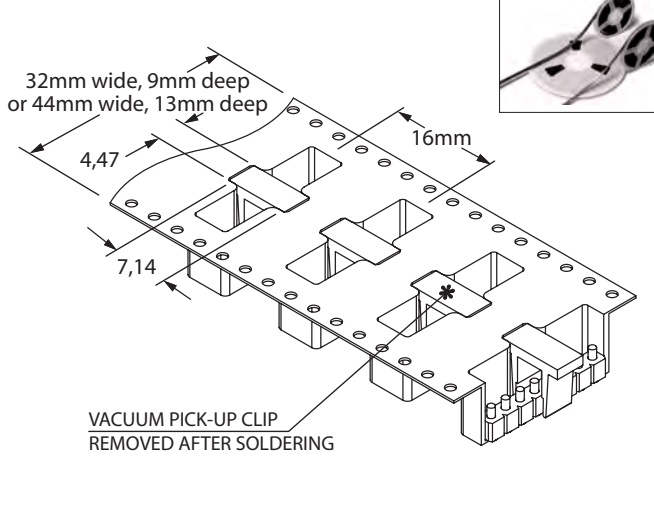
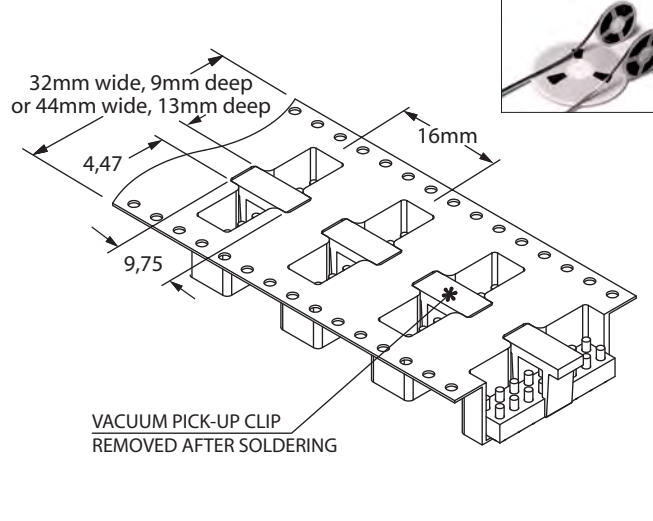
RoHS - 2
2011/65/EU



SPRING-LOADED CONNECTORS

SERIES 815, 817, 819, 820 • 2,54 GRID SURFACE MOUNT • CARRIER TAPE AND PACKAGING

Ordering Information for Series 815/817/819/820 in Carrier Tape

Single Row Series 815	Double Row Series 817
<p>815-22-0XX-30-001191</p> <p>Specify number of pins \uparrow 02-10</p> <p>(44mm wide tape, 910 parts per 330mm reel)</p>	<p>817-22-0XX-30-001191</p> <p>Specify number of pins \uparrow 04-20</p> <p>(44mm wide tape, 680 parts per 330mm reel)</p>
Single Row Series 819	Double Row Series 820
<p>819-22-0XX-30-001191</p> <p>Specify number of pins \uparrow 02-08</p> <p>(32mm wide tape, 400 parts per 330mm reel)</p>	<p>820-22-0XX-30-001191</p> <p>Specify number of pins \uparrow 04-16</p> <p>(32mm wide tape, 400 parts per 330mm reel)</p>
Single Row Series 819	Double Row Series 820
<p>819-22-0XX-30-001191</p> <p>Specify number of pins \uparrow 09-12</p> <p>(44mm wide tape, 200 parts per 330mm reel)</p>	<p>820-22-0XX-30-001191</p> <p>Specify number of pins \uparrow 18-24</p> <p>(44mm wide tape, 200 parts per 330mm reel)</p>
 <p>32mm wide, 9mm deep or 44mm wide, 13mm deep</p> <p>4,47</p> <p>16mm</p> <p>7,14</p> <p>VACUUM PICK-UP CLIP REMOVED AFTER SOLDERING</p>	 <p>32mm wide, 9mm deep or 44mm wide, 13mm deep</p> <p>4,47</p> <p>16mm</p> <p>9,75</p> <p>VACUUM PICK-UP CLIP REMOVED AFTER SOLDERING</p>

