

# Customer Information Sheet

DRAWING No.: M300-2240696F2

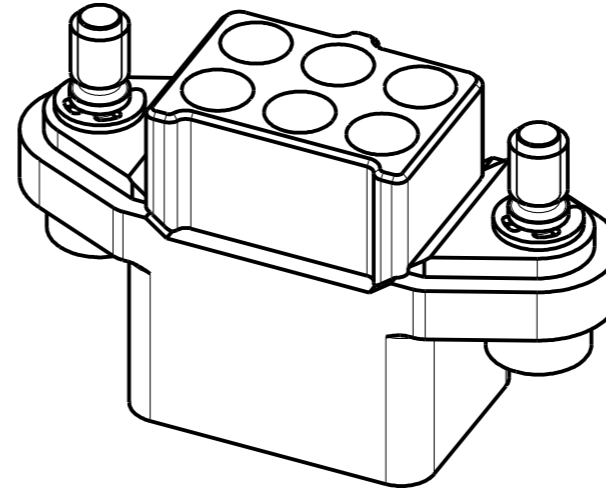
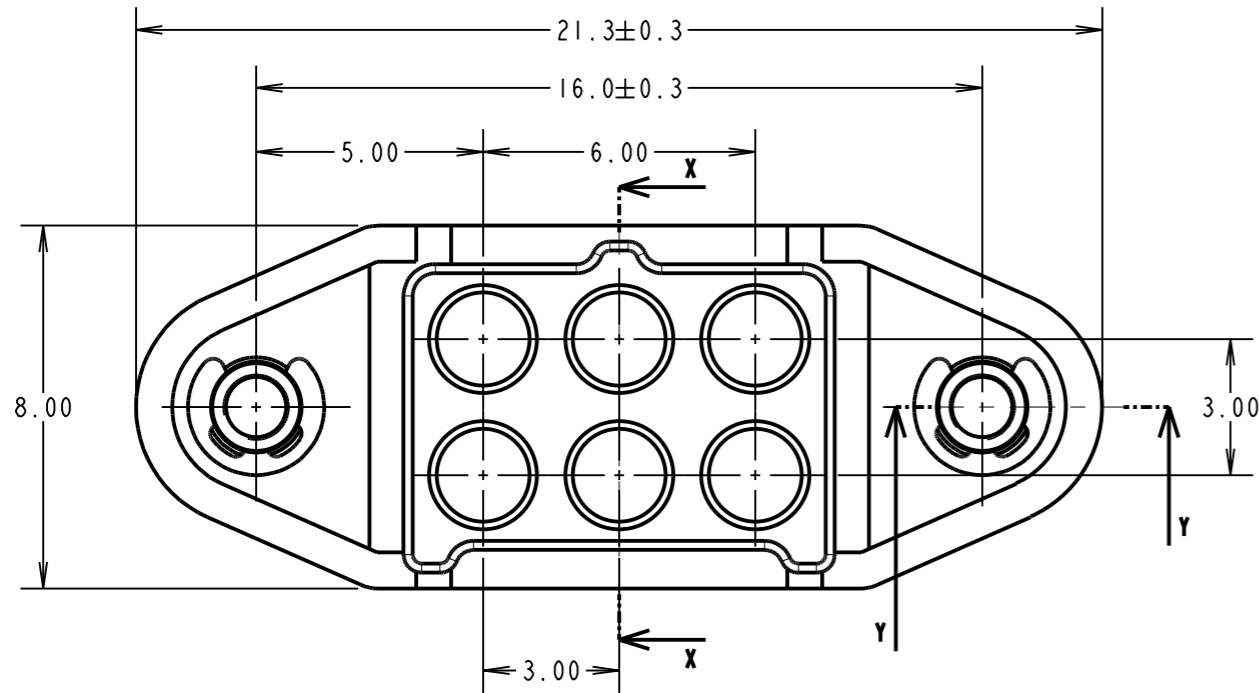
IF IN DOUBT - ASK

©

NOT TO SCALE

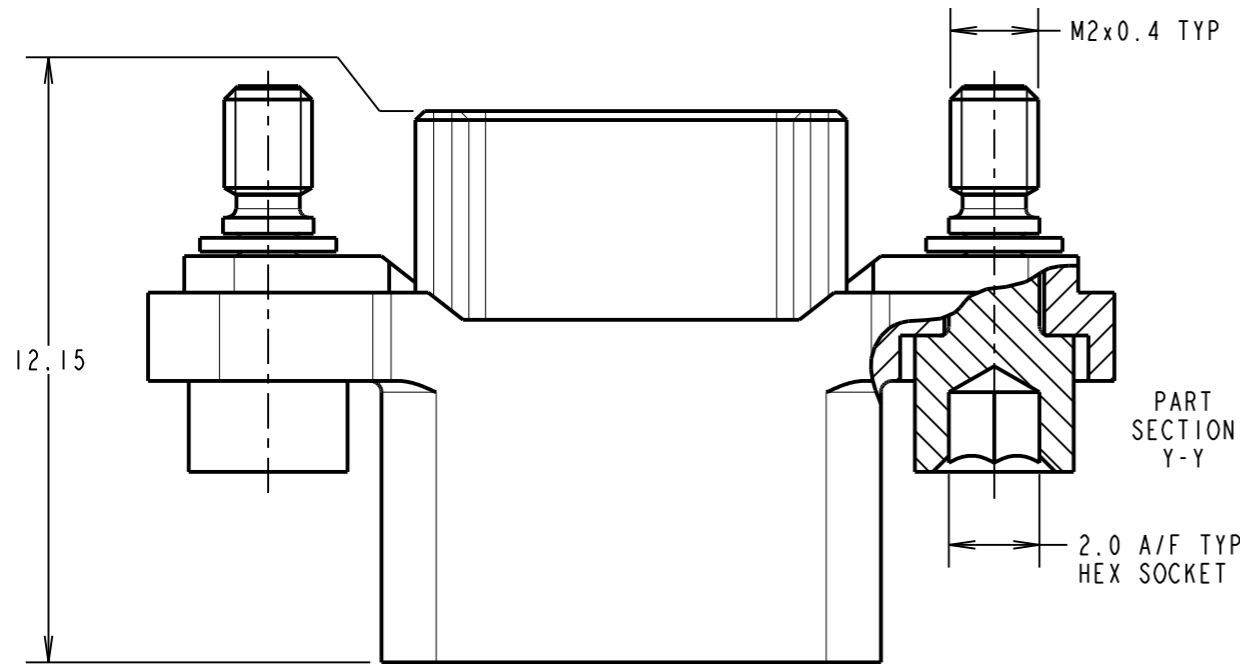
THIRD ANGLE PROJECTION

ALL DIMENSIONS IN mm

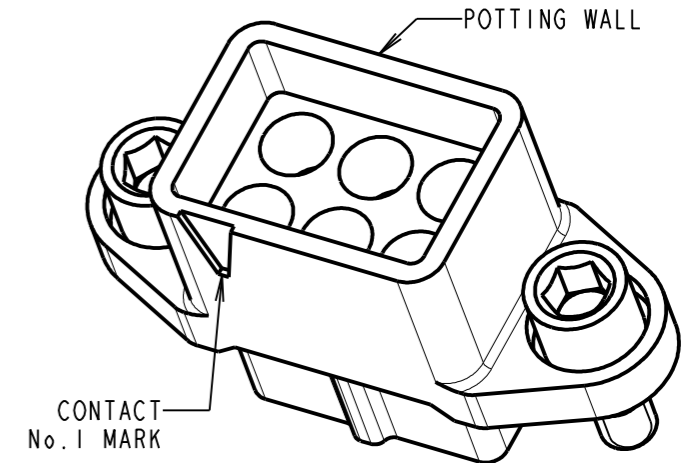
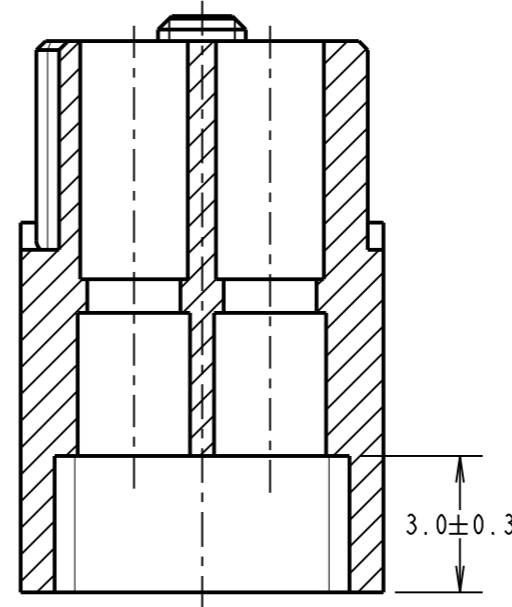


**SPECIFICATIONS:**

**MATERIAL:**  
 MOULDING = GLASS-FILLED PA46 UL94V-0, GREEN  
 CONTACT CLIP = BERYLLIUM COPPER  
 CONTACT SHELL = BRASS  
 JACKSCREW, CIRCLIP = STAINLESS STEEL  
**FINISH (ALL OVER NICKEL):**  
 0.10/0.17µ GOLD CLIP, 0.25/0.30µ GOLD SHELL  
**ELECTRICAL:**  
**CURRENT RATING:**  
 5A MAX WITH 22 AWG M300-0020045 CONTACTS  
 10A MAX WITH 18 AWG M300-0010045 CONTACTS  
 WORKING VOLTAGE = 600V AC/DC  
 VOLTAGE PROOF = 1800V AC/DC  
 CONTACT RESISTANCE = 6mΩ MAX  
 INSULATION RESISTANCE = 100MΩ MIN  
**MECHANICAL:**  
 DURABILITY = 1000 OPERATIONS  
 INSERTION FORCE (∅1.0mm GAUGE) = 9.0N MAX  
 WITHDRAWAL FORCE (∅1.0mm GAUGE) = 1.0N MIN  
**ENVIRONMENTAL:**  
 TEMPERATURE RANGE = -65°C TO +175°C  
**PACKING:**  
 BAG  
 FOR COMPLETE SPECIFICATION, SEE COMPONENT SPECIFICATION C048XX (LATEST ISSUE)



SECTION X-X



**NOTES:**

- FOR USE WITH M300-0010045 & M300-0020045 CONTACTS (NOT INCLUDED).  
 M300-0010045 CONTACTS ARE SUITABLE FOR WIRE GAUGE 18 & 20 AWG.  
 MAXIMUM INSULATION DIAMETER ∅1.80mm.  
 M300-0020045 CONTACTS ARE SUITABLE FOR WIRE GAUGE 22 AWG.  
 MAXIMUM INSULATION DIAMETER ∅1.40mm.  
 BS3G210 TYPE A WIRE RECOMMENDED.
- RECOMMENDED CRIMP TOOL = M22520/2-01, POSITIONER = Z80-058.
- FOR INSTRUCTIONS ON HAND CRIMP TOOL M22520/2-01, SEE INSTRUCTION SHEET IS-01. STRIP WIRE BY 2.00mm FOR CRIMPING.
- RECOMMENDED MATING PIN SIZE = ∅1.05-0.90mm.

MSP	2	28.07.15	13022
NAME	ISS.	DATE	C/NOTE
APPROVED: M.PERREN			
CHECKED: M.PLESTED			
DRAWN: MARK G PLESTED			
CUSTOMER REF.:			
ASSEMBLY DRG:			

 www.harwin.com technical@harwin.com	THIS DRAWING AND ANY INFORMATION OR DESCRIPTIVE MATTER SET OUT HEREON ARE CONFIDENTIAL AND COPYRIGHT PROPERTY OF THE HARWIN GROUP AND MUST NOT BE DISCLOSED, LOANED, COPIED OR USED FOR MANUFACTURING, TENDERING OR FOR ANY OTHER PURPOSE WITHOUT THEIR WRITTEN PERMISSION.	TOLERANCES X. = ±1mm X.X = ±0.50mm X.XX = ±0.10mm X.XXX = ±0.01mm	MATERIAL: SEE ABOVE	TITLE: 1mm POWER CONNECTOR DIL CRIMP HOUSING WITH POTTING WALL FEMALE ASSEMBLY
		ANGLES = ±5° UNLESS STATED	FINISH: SEE ABOVE S/AREA: mm <sup>2</sup>	DRAWING NUMBER: <b>M300-2240696F2</b>