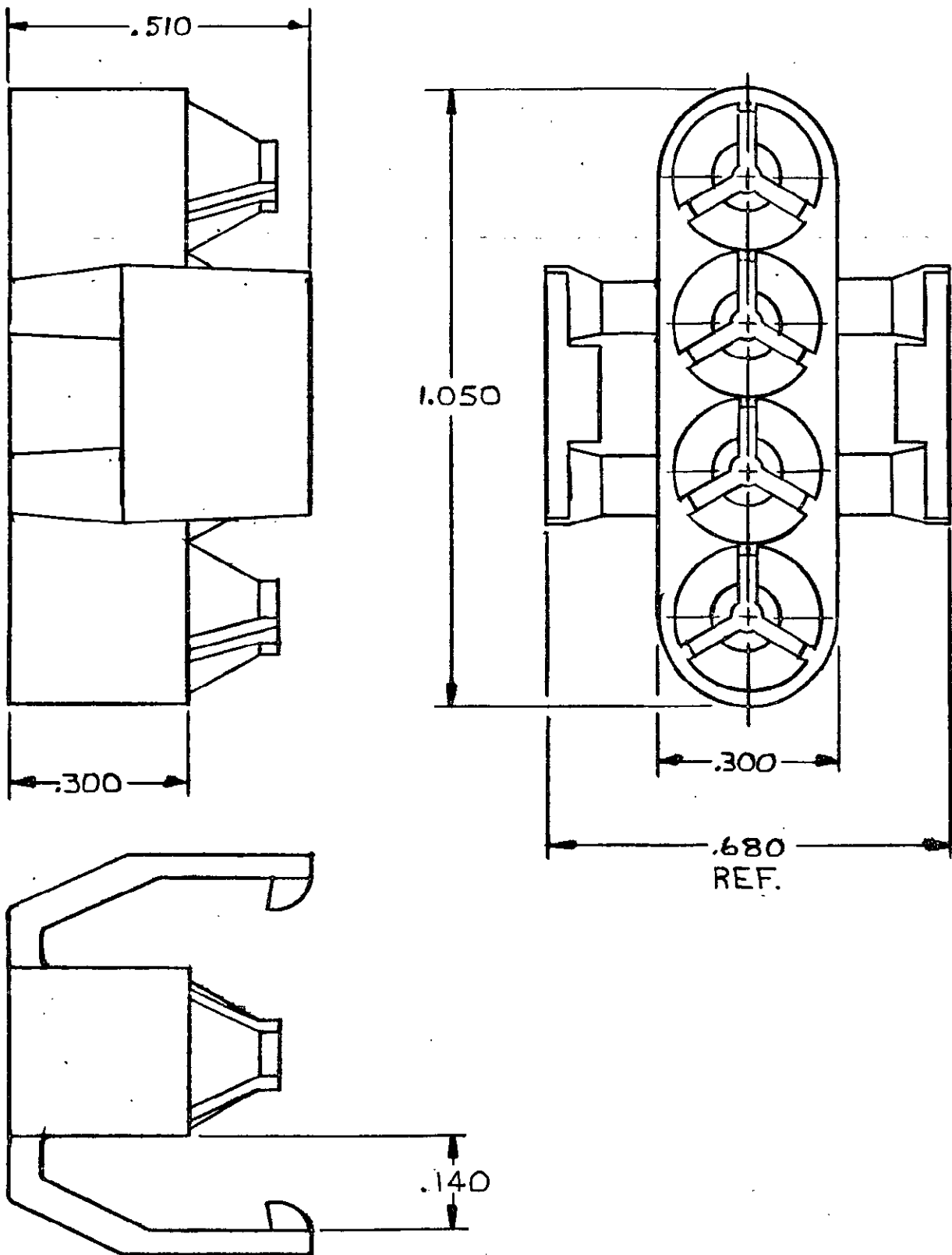


THIS DRAWING IS UNPUBLISHED. RELEASED FOR PUBLICATION, 19

© COPYRIGHT 19 BY AMP INCORPORATED, HARRISBURG, PA. ALL INTERNATIONAL RIGHTS RESERVED. AMP PRODUCTS MAY BE COVERED BY U.S. AND FOREIGN PATENTS AND/OR PATENTS PENDING.

REVISIONS						
P	F	ZONE	LTR	DESCRIPTION	DATE	APPROVED
1			E	REVISED PER CM 2704	7-30-90	TB / RS
			F	REV PER EC 0730-0054-95	3-30-95	JH / RS



- ASSEMBLY INSTRUCTIONS:
SNAP MODULE ONTO HOUSING,
FULLY INSERT CONTACTS THRU MODULE AND INTO HOUSING (NOTE: SEVERAL CLICKS CAN BE HEARD AS THE CONTACT IS PUSHED IN PLACE),
DISENGAGE LATCHES ON MODULE AND SLIDE BACK FROM END OF HOUSING,
CHECK FOR ANY CONTACTS NOT FULLY INSERTED INTO HOUSING; INSERT ANY CONTACTS NOT LOCKED IN HOUSING,
PUSH MODULE BACK AGAINST HOUSING UNTIL LATCHES ARE ENGAGED.
- MODULE WILL ACCEPT MAXIMUM WIRE OUTSIDE DIA OF .160.

643252-1
PART NO

UNLESS OTHERWISE SPECIFIED DIMENSIONS ARE IN INCHES. TOLERANCES ON: DECIMALS ±.015 ANGLES ±		CONTRACT NO		AMP AMP INCORPORATED Harrisburg, Pa.	
MATERIAL NYLON 94V-0		DR. <i>m. Fehan</i> 7-13-82		NAME ASSEMBLY MODULE, UNIVERSAL MATE-N-LOK™, 4 CIRCUIT	
FINISH		CHK. <i>C. Hough</i> 7-23-82		SIZE B	FSCM NO 00779
		APPD. <i>B. A. Kelly</i> 7-26-82		DRAWING NO 643252	
		DSGN APPD		SCALE 4-1	
		OTHER APPD		SHEET	