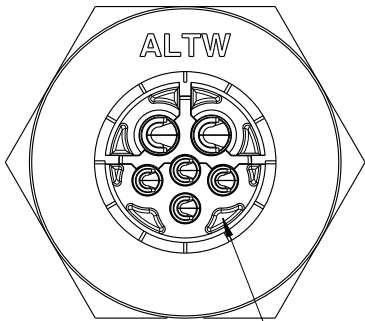


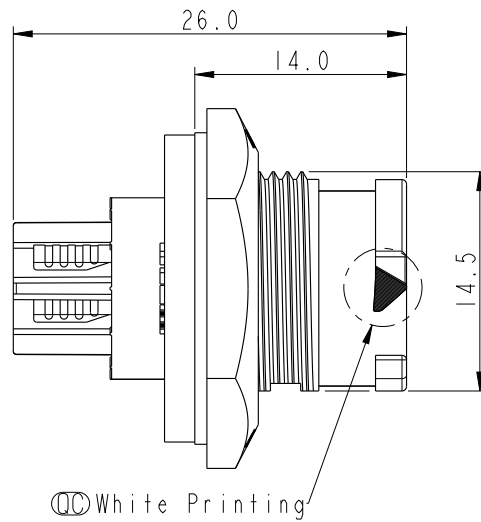
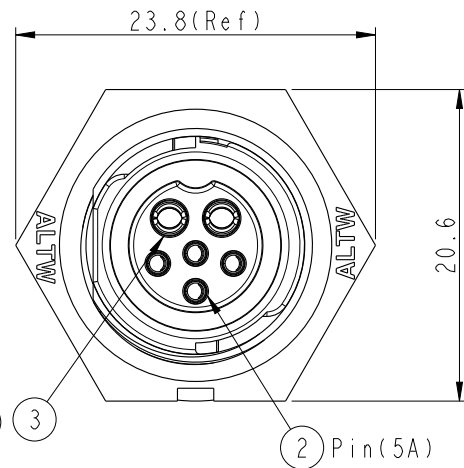
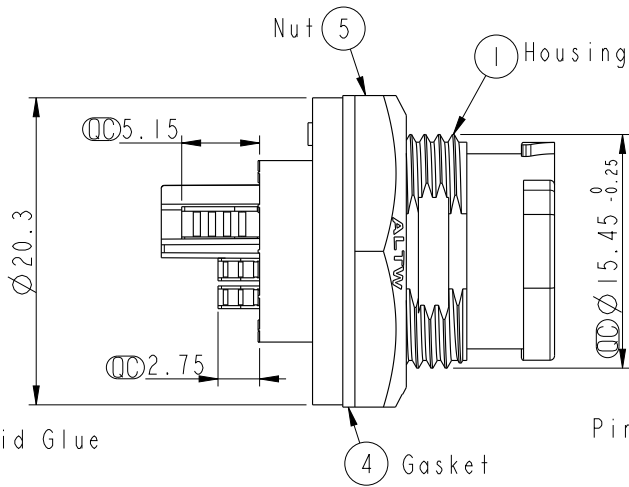
REV.	ECN NO.	DATE	SIGN	DESCRIPTION
A	Initial Release	2016-05-07	Spring	Change Rev.01 To Rev.A

ALTW  
CONFIDENTIAL  
2016-05-07  
R&D DEPT.

ALTW  
DCC. DEPT.  
CONFIDENTIAL  
2016.05.18  
ISSUED

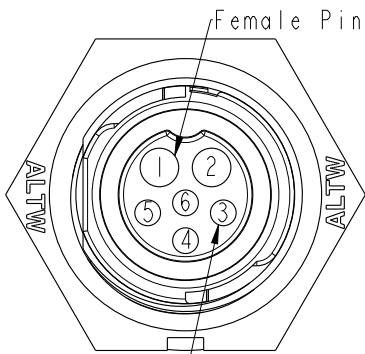


Whit Liquid Glue

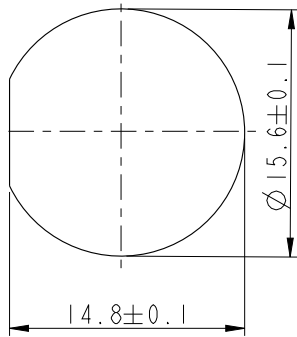


Note:

- \*  $\varnothing$  Important Dimension To Check.
- \* Waterproof Rate: IP68(Unmated)  
In 1 meter water within 24 hours
- \* Working Voltage Rating:  
Power AC/DC 300V  
Data DC 30V
- \* Working Current:  
Power: 10A  
Data: 05A
- \* Housing: Nylon+GF, Black
- \* Pin: Copper Alloy, Gold Plated
- \* Gasket: Silicone, Gray
- \* Panel Thickness Max: 4.0mm

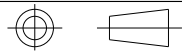


Female Pin  
Pin Assignments  
Front View



Recommended Panel Cut-out

UNIT:mm  
TOLERANCE  
 $\pm 0.25$



TITLE STANDARD, RECEPTACLE (FRONT) X-LOK (2+4) PIN M CONN F PIN			
SCALE 2:1	SIZE A4	SHEET 1 OF 1	
REV. A	WC-REV. A.4	$\varnothing$ : Inspection item	

**Amphenol LTW**  
安費諾亮泰企業股份有限公司

ITEM NO BBD-06PMFS-QC8001	DRAWN BY Spring	DATE 2016-05-07
DWG NO BBD-06PMFS-QC8001	CHECKED BY Fisher	DATE 2016-05-07
CUSTOMER ALTW	APPROVED BY Kevin	DATE 2016-05-07

THIS DOCUMENT IS SUBJECT TO CHANGE WITHOUT NOTICE. IT IS CONFIDENTIAL AND A PROPERTY OF AMPHENOL LTW. DISCLOSURE TO THIRD PARTY HAS TO BE AUTHORIZED BY AMPHENOL LTW.