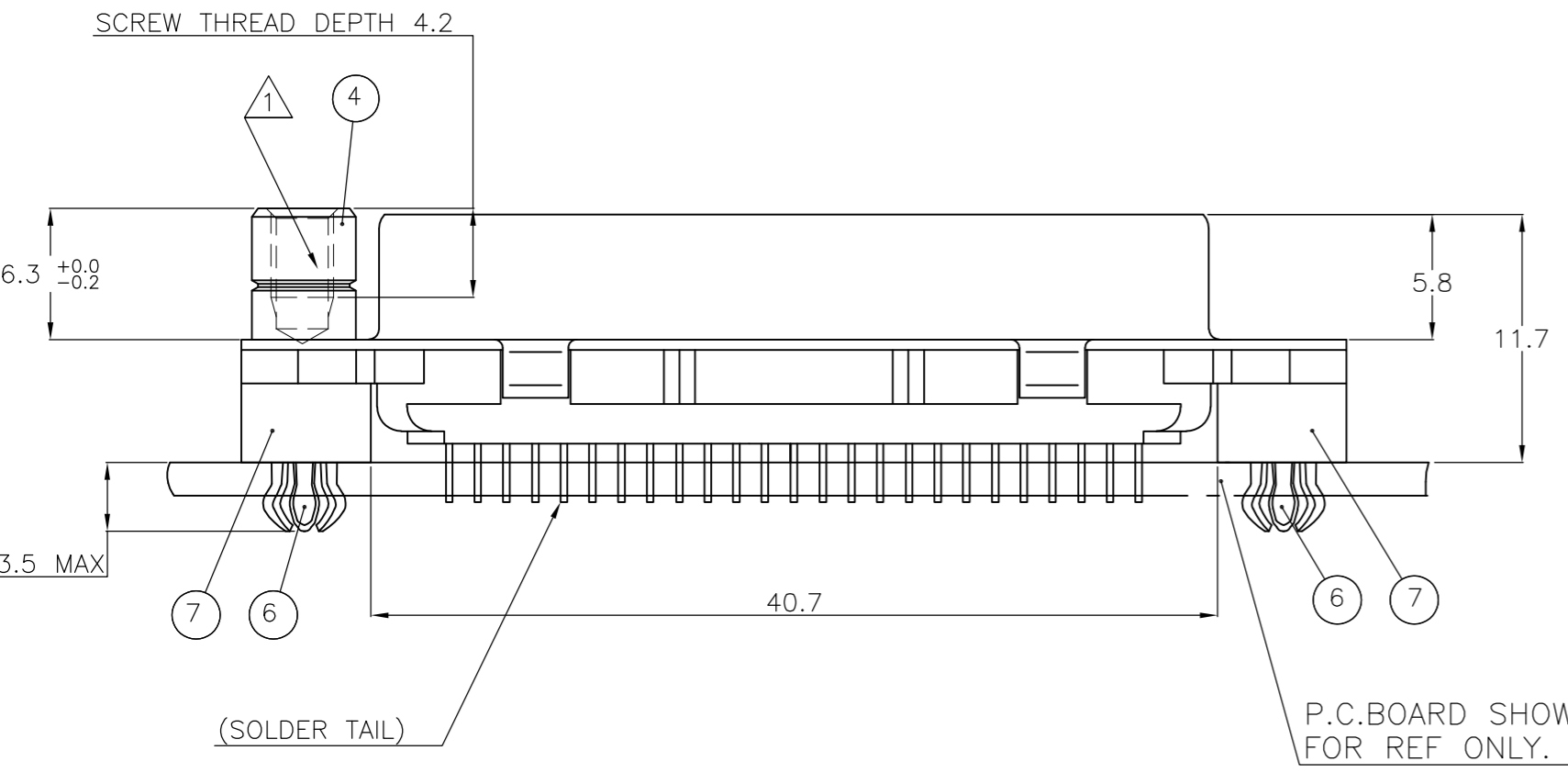
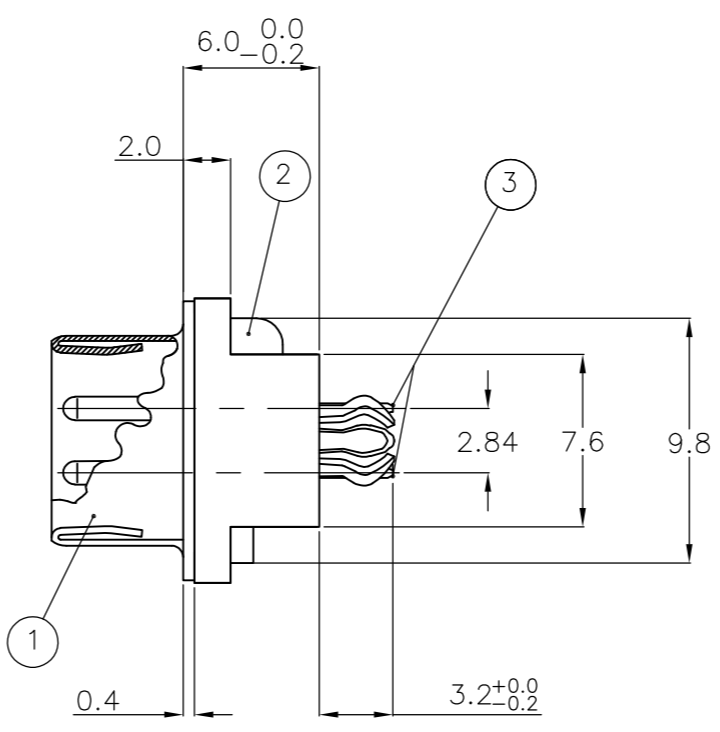
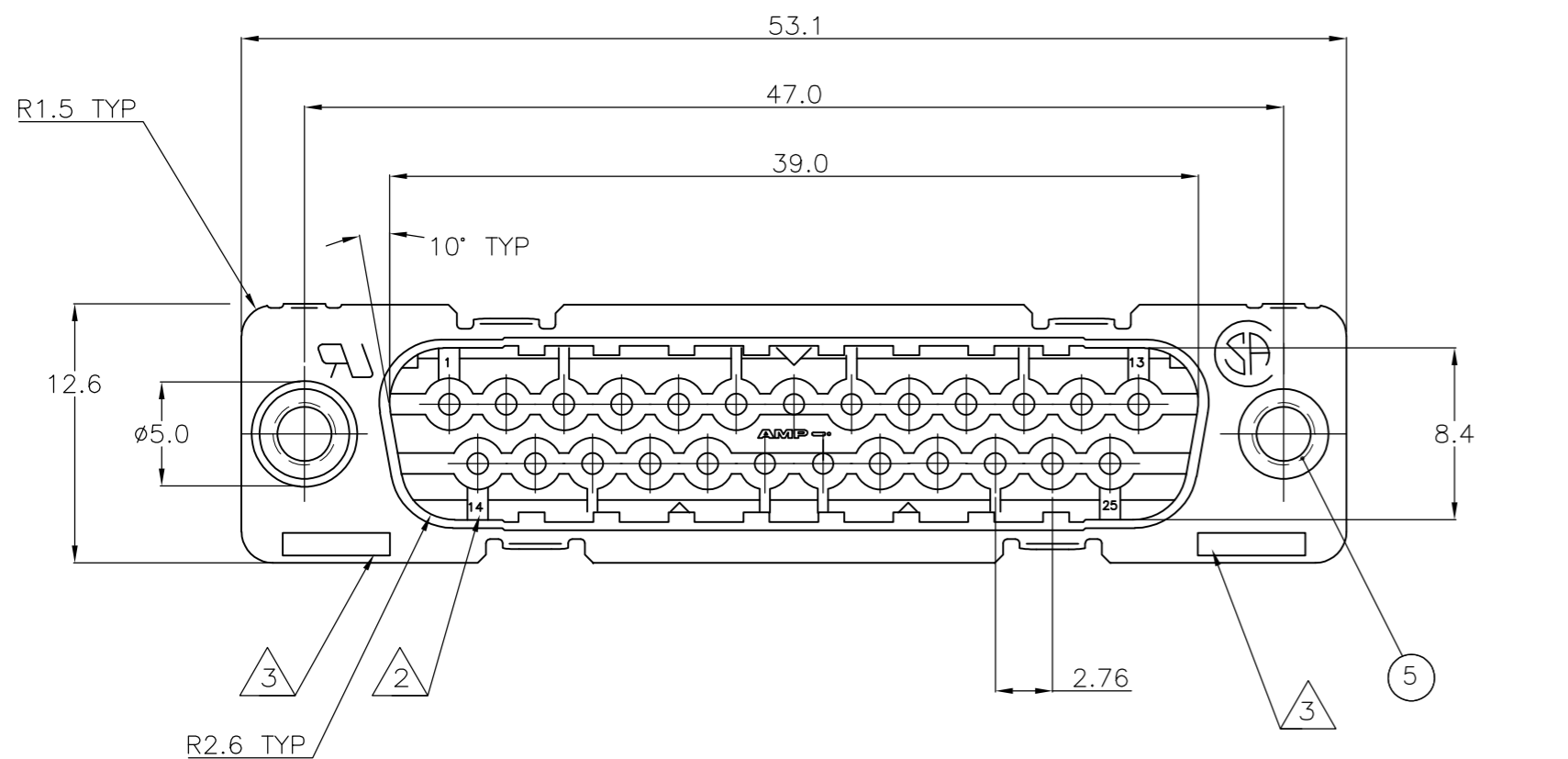


THIS DRAWING IS UNPUBLISHED. RELEASED FOR PUBLICATION  
 © COPYRIGHT - By - ALL RIGHTS RESERVED.

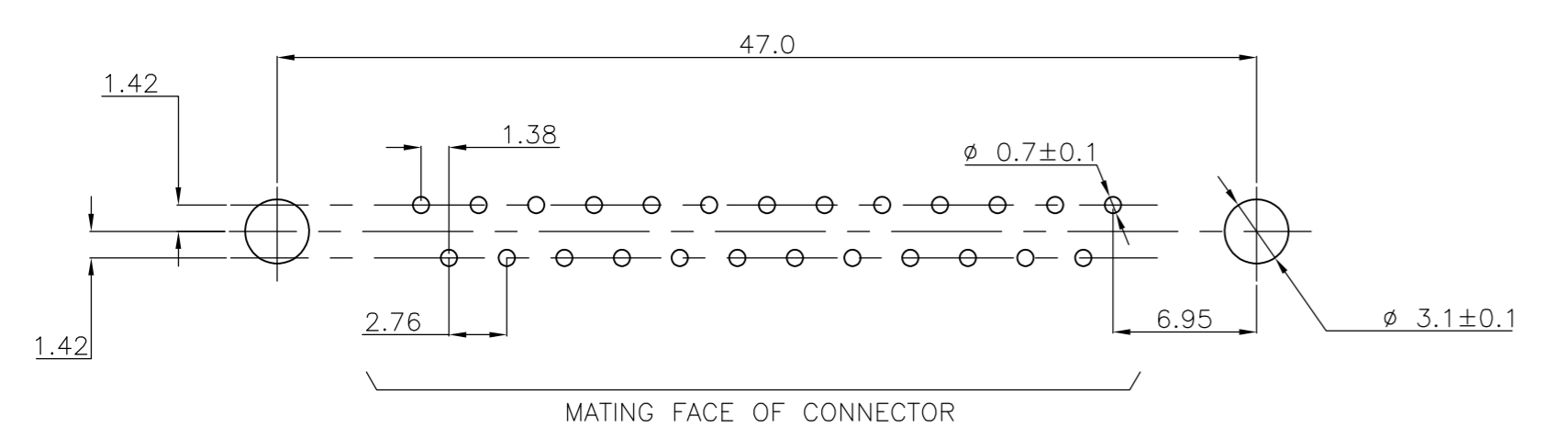
LOC	DIST	REVISIONS			
P	LTR	DESCRIPTION	DATE	DWN	APVD
GP	00	REVISED PER ECO-12-009966	06JUN2012	CJV	SLB



ACCESSORIES	ITEM NO	DESCRIPTION OF ACCESSORY	1	2	3	4	5	6	7	8	9
5	5	BUSHING WITH THROUGH HOLE Ø3.1									
5	5	BUSHING WITH THREAD 4-40 UNC		2						2	
5	5	BUSHING WITH THREAD M3		2						2	
4	4	FEMALE SCREWLOCK WITH THREAD 4-40 UNC			2						2
4	4	FEMALE SCREWLOCK WITH THREAD M3				2					2
6	6	BOARDLOCK		2	2	2	2				

- △ GROOVE INDICATES VERSION WITH 4-40 UNC INNER THREAD; WITHOUT GROOVE INDICATES VERSION WITH M3 INNER THREAD.
- △ CAVITY IDENTIFICATION AT FRONT SIDE ONLY.
- △ PART NUMBER AND DATE CODE.
- 4. WHEN BOARDLOCKS ARE USED, CONNECTOR CAN BE USED FOR PCB THICKNESS OF 1.6 ONLY.
- 5. SHELL HAS 2x8 GROUNDING SPRINGS; PITCH IS 3.6.
- 6. AIR AND CREEPAGE DISTANCES ACCORDING TO DIN 41652.
- 7. GOLD FLASH OVER PALLADIUM-NICKEL PLATE OR GOLD PLATE ON THE MATING SURFACES, TIN PLATE ON THE SOLDER-TAILS, NICKEL UNDERPLATE ON THE ENTIRE CONTACT. MATING SURFACE FINISH MEETS LEVEL 2 PERFORMANCE PER DIN 41652.

RECOMMENDED P.C. BOARD HOLE-LAYOUT



- ITEM NO/MATERIAL :
- ① SHELL : BRIGHT TIN PLATED STEEL
  - ② HOUSING : GLASS FILLED POLYESTER, COLOR : BLACK
  - ③ CONTACTS : PHOSPHOR BRONZE (PLATING : SEE NOTES ABOVE)
  - ④ FEMALE SCREWLOCK : TIN PLATED STEEL (INNER THREAD 4-40 UNC OR M3)
  - ⑤ BUSHING : TIN PLATED STEEL (INNER THREAD 4-40 UNC OR M3 OR 3,1 DIA. THROUGH HOLE)
  - ⑥ BOARDLOCK : TIN PLATED PHOSPHOR BRONZE
  - ⑦ STAND-OFF : GLASS FILLED NYLON COLOR : BLACK

THIS DRAWING IS A CONTROLLED DOCUMENT. DIMENSIONING AND TOLERANCING PER ASME Y14.5M-2009		DWN J.v.LIEMPT 03JUL97		
DIMENSIONS: mm		CHK C.SOUISA		
TOLERANCES UNLESS OTHERWISE SPECIFIED:		APVD E.LEIJTENS	HDP-20 SIZE 3 VERTICAL+ PLUG HEADER; WITH SOLDER CONTACTS	
0 PLC ± -		PRODUCT SPEC	SIZE	CAGE CODE
1 PLC ± 0.3		APPLICATION SPEC	A2	00779
2 PLC ± 0.15		WEIGHT	DRAWING NO	
3 PLC ± -		MATERIAL	A2 00779 C=338311	
4 PLC ± -		FINISH	RESTRICTED TO	
ANGLES ± -		CUSTOMER DRAWING	SCALE	SHEET
FINISH			NTS	1 of 1
			REV	G